



# HARVESTER SPARES



COMPATIBLE SPARE PARTS  
FOR HARVESTER MACHINES

CATALOG 2021



NEW HOLLAND

GREGOIRE

PELLENC



[WWW.HARVESTERSPARES.COM](http://WWW.HARVESTERSPARES.COM)

HARVESTER SPARES .....3

NEW HOLLAND .....6

GREGOIRE .....28

PELLENC .....38





## AN ANSWER TO A NEED

Our compatible spare parts represent a **perfectly valid alternative to the originals**. We offer reliable products, individually tested in our technical laboratory, and at very competitive prices. Our team of specialized technicians studies the **changing needs of the sector to adapt them at all times**, thus improving their performance thanks to the feedback they offer us.

We offer an **extensive range of products and services**. We are manufacturers, as white label producers, and for other companies and distributors.

Since our beginnings, **the main objective has been to obtain the same parts**, from the injection of plastic parts, to the realization of conveyor belts, machining, turning, assembly and, a long etcetera of processes.





## PERFECT LOCATION

*Harvester Spares*, belonging to the *Moldes y Resinas S.L.* group, began its activity in 2012 at the hands of Eduardo Royo and María Rosa Lázaro, who took the objective of **solving the discovered needs of the Spanish wine market**.

One of the factors that has favored its rapid growth is its location: Burgos, a **strategic geographical point** halfway between the Ribera del Duero and La Rioja, wine-making references. This translates into a **constant renewal and improvement in the techniques of creation, manufacture and production** of the components offered, as well as a revolutionary look at the latest techniques in the world of the vine and the olive tree.



## A TEAM AT YOUR DISPOSAL

*Harvester Spares* is made up of a **dynamic and decisive team**, whose main objective is customer satisfaction.

From the company's technical office, new parts and products are tested and developed to adapt to the changing pace of the sector. Along the same lines, it offers a **personalized solution design service** to meet the specific needs of individual clients.

The **wide commercial and distribution network** acquired during these years allows, from personal advice and resolution of any doubt, to the receipt of the merchandise, a process in which the different members of the team intervene.



## RESPONSIBILITY AND COMMITMENT

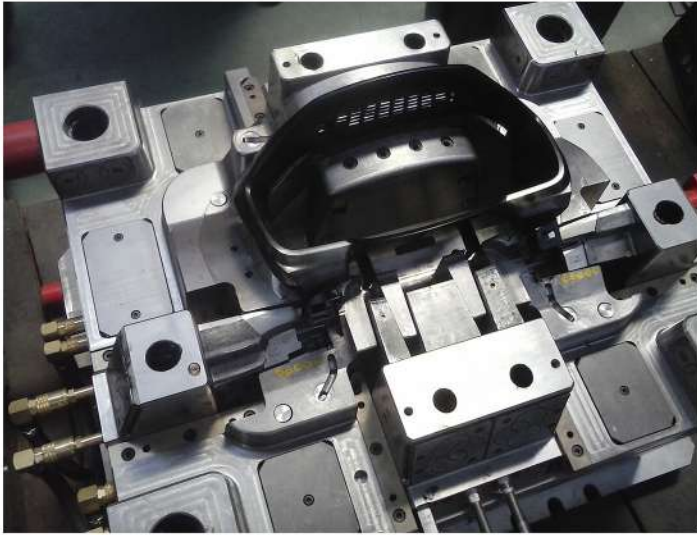
The group seeks to achieve the **highest quality, maximum range, and maximum service**, in the shortest possible time.

Therefore, **speed, punctuality and commitment** are the pillars that sustain this company, and which are considered essential and basic when managing and shipping products on a daily basis.

The philosophy of the workers that make up *Harvester Spares* resides in providing consumers with **greater comfort** when making their purchases, satisfying their product needs by increasing specialization, and adjusting the price. In short, what we want is to **enhance customer proximity and loyalty**.







## COMPLETE CATALOG

One of the main characteristics that differentiates our brand in the market is that **we are manufacturers**, most of the parts start from our own design workshop with the choice of materials, go through a **manufacturing process**, and end with **quality control**.

We offer, in addition to a wide catalog of our **own products and compatible with other brands** (*New Holland, Gregoire y Pellenc*), the supply of another series of **original products, whether or not they are in the catalog**.

Our products can be purchased **online or physically at our facilities**. If you have any questions or problems, our technical office will work to resolve them.



## NATIONAL & INTERNATIONAL

*Harvester Spares* started its presence in Spain, but little by little, its products have reached a **wide variety of people around the globe**.

The main objective of this internationalization is that everyone can enjoy the **quality and good price of our products**.

All of this is thanks to the competence and qualification of the team, which masters **different languages** so that the relationship with the client is optimal and understandable.

Likewise, the firm has been present in some of the most important agricultural fairs in Spain, among which is the **FIMA**.



## CONSTANT DEVELOPMENT

From *Harvester Spares* we look to the future with the aim of consolidating ourselves in the main world markets, as well as expanding our goals and objectives in future projects and prototypes.

We consider the experience of all these years basic, as well as that intrinsic desire that leads us to improve ourselves on a daily basis and provide the customer with what he needs.

Every year we improve, every year our catalog gets bigger and more complete, but all this could not be possible without you, without the trust you put on us, which helps us to go a little further.

**Thank you for your loyalty and support.**

















REF.293A



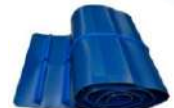
REF.293B



REF.293C



REF.293D



COVER BELT VL/VM/VX/SB (600mm x 1.145mm)  
14 holes

Comp. 944026645,,944009230  
SB36, SB56, SB58, SB60, SB62, SB64, SB65, VL600, VL6040,  
VL6050, VL6060, VL6070, VL6080, VL6090, VL610, VL620, VL630,  
VL640, VL660, VM4090, VM460, VX680, VX7090

COVER BELT SB33/35/53/55 (450mm x1145mm)  
1 channel 10 holes

Comp. 944010278  
SB33, SB35, SB53, SB55

COVER BELT VL9000L/9000X (700mm x  
1.327mm)17 holes

Comp. 84193392  
9030L, 9040L, 9050L H, 9050L L, 9060L, 9060L GE, 9060L H, 9060L  
SH, 9070L H, 9070L L, 9070L L T5, 9080L, 9080L GE, 9080L H,  
9080L SH, 9090L, 9090L H, 9090L H T4, 9090L H T5, 9090L T3,  
9090X, 9090X H, 9090X H T4, 9090X T3, 9090X T5

COVER BELT 9090 OLIVE  
CENTRAL(450mmx2.155mm)10 holes

Comp. 84321610  
9090X O, 9090X O GE, 9090X O GE T3, 9090X O GE T4, 9090X O  
GE T5, 9090X O H T4, 9090X O T3, 9090X O T4, 9090X O T5, 9090X  
OP, 9090X OP GE, VX7090

REF.293E



REF.293G



REF.293I



REF.293J



COVER BELT 9090 OLIVE SIDE (225mm x  
1.690mm) 5 holes

Comp. 84324465  
9090X O, 9090X O H T4, 9090X O T3, 9090X O T4, 9090X O T5,  
9090X OP, VX7090

ROLL TAPE 2-ply (3.2mm) 450mm x 1m

Comp. -  
1214, 1620, 1620S, 2414, 2420, 2514, 2520, 2614, 2620, 2714, 2720, 7030L, 7030M, 7030M H, 8030L, 9030L,  
9040L, 9040M, 9050L H, 9050L L, 9050L SH, 9060L, 9060L GE, 9060L H, 9060L SH, 9070L H, 9070L L, 9070L L  
T5, 9070L SH, 9070M, 9080L, 9080L GE, 9080L H, 9080L SH, 9080M H, 9080L L, 9090L, 9090L GE, 9090L H,  
9090L H T4, 9090L H T5, 9090L SH, 9090L SH T4, 9090L SH T5, 9090L T3, 9090X, 9090X GE, 9090X GE T3,  
9090X GE T4, 9090X GE T5, 9090X H, 9090X H H, 9090X H T4, 9090X O, 9090X O GE, 9090X O GE T3, 9090X O  
GE T4, 9090X O GE T5, 9090X O H T4, 9090X O T3, 9090X O T4, 9090X O T5, 9090X OP, 9090X OP GE, 9090X  
T3, 9090X T4, 9090X T5, SB33, SB35, SB53, SB55, SB56, SB58, SB60, SB62, SB64, SB65,  
VL5060, VL5080, VL5090, VL530, VL540, VL550, VL570, VL600, VL6040, VL6050, VL6060, VL6070, VL6080,  
VL6090, VL610, VL620, VL630, VL640, VL660, VM4090, VM4300, VM4300 AL, VM4300, VM4340, VM4370, VM4090,  
VM460, VN2080, VN2090, VN240, VN260, VN300, VN360, VX7090

COVER BELT SB52/54(450mmx1145mm)2  
extreme channels inf.10 holes.

Comp. 913475510  
1214, 1620, 1620S, 2414, 2420, 2514, 2520, 2614, 2620, 2714,  
2720, SB52, SB54

ROLLO CANVAS 1m x 1m thickness 0,5mm per  
m2

Comp. -  
1214, 1620, 1620S, 2414, 2420, 2514, 2520, 2614, 2620, 2714, 2720, 7030L, 7030M, 7030M H, 8030L, 9030L,  
9040L, 9040M, 9050L H, 9050L L, 9050L SH, 9060L, 9060L GE, 9060L H, 9060L SH, 9070L H, 9070L L, 9070L L  
T5, 9070L SH, 9070M, 9080L, 9080L GE, 9080L H, 9080L SH, 9080M H, 9080L L, 9090L, 9090L GE, 9090L H,  
9090L H T4, 9090L H T5, 9090L SH, 9090L SH T4, 9090L SH T5, 9090L T3, 9090X, 9090X GE, 9090X GE T3,  
9090X GE T4, 9090X GE T5, 9090X H, 9090X H H, 9090X H T4, 9090X O, 9090X O GE, 9090X O GE T3, 9090X O  
GE T4, 9090X O GE T5, 9090X O H T4, 9090X O T3, 9090X O T4, 9090X O T5, 9090X OP, 9090X OP GE, 9090X  
T3, 9090X T4, 9090X T5, SB33, SB35, SB53, SB55, SB56, SB58, SB60, SB62, SB64, SB65,  
VL5060, VL5080, VL5090, VL530, VL540, VL550, VL570, VL600, VL6040, VL6050, VL6060, VL6070, VL6080,  
VL6090, VL610, VL620, VL630, VL640, VL660, VM4090, VM4300, VM4300 AL, VM4300, VM4340, VM4370, VM4090,  
VM460, VN2080, VN2090, VN240, VN260, VN300, VN360, VX7090

REF.293K



REF.293L



REF.293M



REF.294B



ENTRY

Comp. 944027604  
SB56, SB58, SB60, SB62, SB64, VL600, VL6040, VL6050, VL6060,  
VL6070, VL6080, VL6090, VL610, VL620, VL630, VL640, VL660,  
VM4090, VM460, VX680, VX7090

ROLL TAPE 3-ply (4.2mm) 450mm x 1m

Comp. -  
1214, 1620, 1620S, 2414, 2420, 2514, 2520, 2614, 2620, 2714, 2720, 7030L, 7030M, 7030M H, 8030L, 9030L,  
9040L, 9040M, 9050L H, 9050L L, 9050L SH, 9060L, 9060L GE, 9060L H, 9060L SH, 9070L H, 9070L L, 9070L L  
T5, 9070L SH, 9070M, 9080L, 9080L GE, 9080L H, 9080L SH, 9080M H, 9080L L, 9090L, 9090L GE, 9090L H,  
9090L H T4, 9090L H T5, 9090L SH, 9090L SH T4, 9090L SH T5, 9090L T3, 9090X, 9090X GE, 9090X GE T3,  
9090X GE T4, 9090X GE T5, 9090X H, 9090X H H, 9090X H T4, 9090X O, 9090X O GE, 9090X O GE T3, 9090X O  
GE T4, 9090X O GE T5, 9090X O H T4, 9090X O T3, 9090X O T4, 9090X O T5, 9090X OP, 9090X OP GE, 9090X  
T3, 9090X T4, 9090X T5, SB33, SB35, SB53, SB55, SB56, SB58, SB60, SB62, SB64, SB65,  
VL5060, VL5080, VL5090, VL530, VL540, VL550, VL570, VL600, VL6040, VL6050, VL6060, VL6070, VL6080,  
VL6090, VL610, VL620, VL630, VL640, VL660, VM4090, VM4300, VM4300 AL, VM4300, VM4340, VM4370, VM4090,  
VM460, VN2080, VN2090, VN240, VN260, VN300, VN360, VX7090

COVER BELT (700mm x 1.135mm)17 holes

Comp. 84193393  
9040M, 9060L GE, 9070M, 9080L GE, 9090L GE, 9090X GE, 9090X  
H H

BELT JOINT FOR 14 HOLES (stainless)

Comp. 944005402  
8030L, 9050L SH, 9060L SH, 9070L SH, 9080L SH, 9090L SH, 9090L  
SH T4, 9090L SH T5, SB36, SB56, SB58, SB60, SB62, SB64, SB65,  
VL600, VL6040, VL6050, VL6060, VL6070, VL6080, VL6090, VL610,  
VL620, VL630, VL640, VL660, VM4090, VM460, VX680, VX7090

REF.294C



REF.294D



REF.294E



REF.294F



BELT JOINT FOR 10 HOLES (stainless)

Comp. 944010278  
SB33, SB35, SB53, SB55

BELT JOINT FOR 17 HOLES(stainless)

Comp. 47374088  
9090X, 9090X H

BELT JOINT FOR 5 HOLES (stainless)

Comp. 944035544  
9090X O, 9090X O GE, 9090X O GE T3, 9090X O GE T4, 9090X O  
GE T5, 9090X O H T4, 9090X O T3, 9090X O T4, 9090X O T5, 9090X  
OP, 9090X OP GE, VN2080, VX7090

CONVEYOR BELT FIXING BAR 14 HOLES (alum)

Comp. 944005400  
8030L, 9050L SH, 9060L SH, 9070L SH, 9080L SH, 9090L SH, 9090L  
SH T4, 9090L SH T5, SB36, SB56, SB58, SB60, SB62, SB64, SB65,  
VL600, VL6040, VL6050, VL6060, VL6070, VL6080, VL6090, VL610,  
VL620, VL630, VL640, VL660, VM4090, VM460, VX680, VX7090

REF.294G



REF.294H



REF.294I



REF.295A



CONVEYOR BELT FIXING BAR 10 HOLES(alum)

Comp. 944010278  
SB33, SB35, SB53, SB55

CONVEYOR BELT FIXING BAR 17 HOLES (alum)

Comp. 84199474  
9030L, 9040L, 9040M, 9050L H, 9050L L, 9060L, 9060L GE, 9060L H, 9070L H, 9070L  
L, 9070L L T5, 9070M, 9080L, 9080L GE, 9080L H, 9080L SH, 9080L L, 9090L, 9090L GE,  
9090L H T4, 9090L H T5, 9090L SH, 9090X, 9090X GE, 9090X GE T3, 9090X GE T4, 9090X GE  
T5, 9090X H, 9090X H H, 9090X H T4, 9090X T3, 9090X T4, 9090X T5

CONVEYOR BELT FIXING BAR 5 HOLES (alum)

Comp. 944035543  
9090X O, 9090X O GE, 9090X O GE T3, 9090X O GE T4, 9090X O  
GE T5, 9090X O H T4, 9090X O T3, 9090X O T4, 9090X O T5, 9090X  
OP, 9090X OP GE, VN2080, VX7090

DRIVE ROLLER FOR 600 MM BELT

Comp. 944005403  
SB36, SB56, SB58, SB60, SB62, SB64, SB65, VL600, VL6040,  
VL6050, VL6060, VL6070, VL6080, VL6090, VL610, VL620, VL630,  
VL640, VL660, VM4090, VM460, VX680, VX7090





**REF.213B**

**REF.213D**

**REF.214B**

**REF.214C**



**LARGE DESTEMMER FINGER**

**STANDARD DESTEMMER FINGER**

**BELT PIN (PINK)**

**BELT PIN (PINK) 0,2mm THICKER**

**Comp. 944027438**

**Comp. 87681134**

**Comp. -**

**Comp. 944027440**

9030L, 9040L, 9040M, 9050L H, 9050L L, 9050L SH, 9060L GE, 9060L H, 9060L SH, 9070L H, 9070L L TS, 9070L SH, 9070M, 9080L, 9080L GE, 9080L H, 9080L SH, 9080M H, 9080M L, 9090L, 9090L GE, 9090L H T4, 9090L H TS, 9090L SH T4, 9090L SH TS, 9090X T3, 9090X, 9090X GE T3, 9090X GE TS, 9090X H, 9090X H H, 9090X H T4, 9090X T3, 9090X T4, 9090X TS, SB36, SB56, SB58, SB60, SB62, SB64, SB65, VL600, VL6040, VL6050, VL6060, VL6070, VL6080, VL6090, VL610, VL620, VL630, VL640, VL660, VM4090, VM460, VK680, VK7090

7030L, 7030M, 7030M H, 8030L, 9030L, 9040L, 9040M, 9050L H, 9050L L, 9050L SH, 9060L, 9060L GE, 9060L SH, 9070L H, 9070L L TS, 9070L SH, 9070M, 9080L, 9080L GE, 9080L H, 9080L SH, 9080M H, 9080M L, 9090L, 9090L GE, 9090L H T4, 9090L H TS, 9090L SH T4, 9090L SH TS, 9090X T3, 9090X, 9090X GE T3, 9090X GE TS, 9090X H, 9090X H H, 9090X H T4, 9090X T3, 9090X T4, 9090X TS, SB33, SB35, SB36, SB53, SB55, SB56, SB58, SB60, SB62, SB64, SB65, VL5060, VL5080, VL5090, VL530, VL540, VL550, VL560, VL590, VL600, VL6040, VL6050, VL6060, VL6070, VL6080, VL6090, VL610, VL620, VL630, VL640, VL660, VM3080, VM340, VM370, VM390, VM4090, VM460, VN280, VN290, VN300

9030L, 9040L, 9040M, 9050L H, 9050L L, 9050L SH, 9060L GE, 9060L H, 9070L H, 9070L L TS, 9070M, 9080L, 9080L GE, 9080L H, 9090L, 9090L GE, 9090L H T4, 9090L H TS, 9090L SH T4, 9090L SH TS, 9090X T3, 9090X, 9090X GE T3, 9090X GE TS, 9090X H, 9090X H H, 9090X H T4, 9090X T3, 9090X T4, 9090X TS, SB33, SB35, SB36, SB53, SB55, SB56, SB58, SB60, SB62, SB64, SB65, VL5060, VL5080, VL5090, VL530, VL540, VL550, VL560, VM3080, VM3090, VK7090

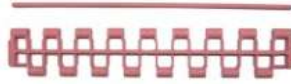
9030L, 9040L, 9040M, 9050L H, 9050L L, 9050L SH, 9060L GE, 9060L H, 9070L H, 9070L L TS, 9070M, 9080L, 9080L GE, 9080L H, 9090L, 9090L GE, 9090L H T4, 9090L H TS, 9090L SH T4, 9090L SH TS, 9090X T3, 9090X, 9090X GE T3, 9090X GE TS, 9090X H, 9090X H H, 9090X H T4, 9090X T3, 9090X T4, 9090X TS, SB33, SB35, SB36, SB53, SB55, SB56, SB58, SB60, SB62, SB64, SB65, VL5060, VL5080, VL5090, VL530, VL540, VL550, VL560, VM3080, VM3090, VK7090

**REF.295Z**

**REF.296A**

**REF.296C**

**REF.296D**



**DESTEMMER FINGER HOLDER**

**BELT MESH + PIN (PINK)**

**BELT MESH + PIN (PINK) COMPLET VL/VX 92 SETS**

**BELT MESH MORE OPEN + PIN (WHITE)**

**Comp. 944027439**

**Comp. 944027670, 944027440**

**Comp. 944031438**

**Comp. 47859604**

7030L, 7030M, 7030M H, 8030L, 9030L, 9040L, 9040M, 9050L H, 9050L L, 9050L SH, 9060L GE, 9060L H, 9060L SH, 9070L H, 9070L L TS, 9070L SH, 9070M, 9080L, 9080L GE, 9080L H, 9080L SH, 9080M H, 9080M L, 9090L, 9090L GE, 9090L H T4, 9090L H TS, 9090L SH T4, 9090L SH TS, 9090X T3, 9090X, 9090X GE T3, 9090X GE TS, 9090X H, 9090X H H, 9090X H T4, 9090X T3, 9090X T4, 9090X TS, SB33, SB35, SB36, SB53, SB55, SB56, SB58, SB60, SB62, SB64, SB65, VL5060, VL5080, VL5090, VL530, VL540, VL550, VL560, VL590, VL600, VL6040, VL6050, VL6060, VL6070, VL6080, VL6090, VL610, VL620, VL630, VL640, VL660, VM3080, VM3090, VM340, VM370, VM390, VM4090, VM460, VN280, VN290, VN300, VK680, VK7090

9030L, 9040L, 9040M, 9050L H, 9050L L, 9050L SH, 9060L GE, 9060L H, 9070L H, 9070L L TS, 9070M, 9080L, 9080L GE, 9080L H, 9090L, 9090L GE, 9090L H T4, 9090L H TS, 9090L SH T4, 9090L SH TS, 9090X T3, 9090X, 9090X GE T3, 9090X GE TS, 9090X H, 9090X H H, 9090X H T4, 9090X T3, 9090X T4, 9090X TS, SB33, SB35, SB36, SB53, SB55, SB56, SB58, SB60, SB62, SB64, SB65, VL5060, VL5080, VL5090, VL530, VL540, VL550, VL560, VM3080, VM340, VM370, VM390, VM4090, VM460, VN280, VN290, VN300, VK7090

9030L, 9040L, 9040M, 9050L H, 9050L L, 9050L SH, 9060L GE, 9060L H, 9070L H, 9070L L TS, 9070M, 9080L, 9080L GE, 9080L H, 9090L, 9090L GE, 9090L H T4, 9090L H TS, 9090L SH T4, 9090L SH TS, 9090X T3, 9090X, 9090X GE T3, 9090X GE TS, 9090X H, 9090X H H, 9090X H T4, 9090X T3, 9090X T4, 9090X TS, SB33, SB35, SB36, SB53, SB55, SB56, SB58, SB60, SB62, SB64, SB65, VL5060, VL5080, VL5090, VL530, VL540, VL550, VL560, VM3080, VM3090, VK7090

9050L H, 9090L H T4, 9070L H, 9070L L, 9050L L, 9070M, 9090X GE T4, 9090X T4, 9090X HEAD T4, 9090X GE TS, 9090X TS, 9030L, 9090L H TS, 9090X GE T3, 9090X T3, 9090L T3, 9070L L TS, 9070M TS, 9030L TS, 9050L L TS

**REF.296E**

**REF.511A**

**REF.511B**

**REF.511C**



**BELT MESH MORE CLOSED + PIN (BLUE)**

**CHAIN TRANSMISSION 60H 79 STEPS**

**CHAIN UNION TRANSMISSION 60H**

**HALF TRANSM. 60H HALF STEP**

**Comp. 51613223**

**Comp. 920019483, 920017691**

**Comp. -**

**Comp. -**

9050L H, 9090L H T4, 9070L H, 9070L L, 9050L L, 9070M, 9090X GE TS, 9090X TS, 9030L, 9090L H TS, 9090X GE T3, 9090X T3, 9090L T3, 9070L L TS, 9070M TS, 9030L TS, 9050L L TS, 9050L L TS

9040L, 9060L, 9090L H, 9090X, 9090X GE, 9090X GE T3, 9090X GE T4, 9090X GE TS, 9090X H, 9090X H H, 9090X H T4, 9090X T3, 9090X T4, 9090X TS, SB65, VL5060, VL530, VL540, VL600, VL6040, VM3080, VM340, VK7090

9040L, 9060L, 9090L H, 9090X, 9090X GE, 9090X GE T3, 9090X GE T4, 9090X GE TS, 9090X H, 9090X H H, 9090X H T4, 9090X T3, 9090X T4, 9090X TS, SB65, VL5060, VL530, VL540, VL600, VM3080, VM340, VK7090

9040L, 9060L, 9090L H, 9090X, 9090X GE, 9090X GE T3, 9090X GE T4, 9090X GE TS, 9090X H, 9090X H H, 9090X H T4, 9090X T3, 9090X T4, 9090X TS, SB65, VL5060, VL530, VL540, VL600, VL6040, VM3080, VM340, VK7090, 7

**REF.548A**

**REF.549A**

**REF.549B**

**REF.549C**



**LOCKING RING**

**RUBBER STOP (700gr)**

**ANTI-VIBRATION INSULATOR FOR SENSOR ARM**

**STOP GOMME(700gr)**

**Comp. 944000016**

**Comp. 920017480**

**Comp. 920019360**

**Comp. 920019016**

1620, 1620S, 2420, 2520, 2620, 2720, SB33, SB35, SB36, SB52, SB53, SB54, SB55, SB56, SB58, SB60, SB62, SB64, SB65, VL550, VL570, VL610, VL620, VL630, VL640, VL660, VM460, VM460, VK680

1620, 1620S, 2420, 2520, 2620, 2720, SB33, SB35, SB36, SB52, SB54, SB56, SB58, SB60, SB62, SB64, SB65, VL5080, VL5090, VL550, VL570, VL600, VL6040, VL6050, VL6060, VL6070, VL6080, VL6090, VL610, VL620, VL630, VL640, VL660, VM3080, VM340, VM370, VM4090, VM460, VK680, VK7090

7030L, 8030L, 9030L, 9040L, 9040M, 9050L H, 9050L L, 9050L SH, 9060L GE, 9060L H, 9060L SH, 9070L H, 9070L L TS, 9070L SH, 9070M, 9080L, 9080L GE, 9080L H, 9090L, 9090L GE, 9090L H T4, 9090L H TS, 9090L SH T4, 9090L SH TS, 9090X T3, 9090X, 9090X GE T3, 9090X GE TS, 9090X H, 9090X H H, 9090X H T4, 9090X T3, 9090X T4, 9090X TS, SB33, SB35, SB36, SB53, SB55, SB56, SB58, SB60, SB62, SB64, SB65, VL5060, VL5080, VL5090, VL530, VL540, VL550, VL560, VM3080, VM340, VM370, VM390, VM4090, VM460, VN280, VN290, VN300, VK680, VK7090

SB33, SB35, SB36, SB53, SB55, SB56, SB58, SB60, SB62, SB64, VL5060, VL530, VL540, VL600, VL6040, VM3080, VM340, VN2090, VN300

**REF.549D**

**REF.550A\***

**REF.551A\***

**REF.551B\***



**RUBBER STOP (700gr)**

**TOP COVER**

**LOWER CAP**

**LOWER CAP**

**Comp. 920094157**

**Comp. 944000412**

**Comp. 944000413**

**Comp. 944000414**

1214, 1620, 1620S, SB33, SB35, SB36, SB53, SB55, VL5060, VL530, VL540, VM3080, VM340, VN2090, VN300

1620, 1620S, 2420, 2520, 2620, 2720, SB33, SB35, SB36, SB52, SB54, SB56, SB58, SB60, SB62, SB64, SB65, VL5080, VL5090, VL550, VL570, VL600, VL6040, VL6050, VL6060, VL6070, VL6080, VL6090, VL610, VL620, VL630, VL640, VL660, VM3080, VM340, VM370, VM4090, VM460, VN2090, VN300, VK680, VK7090

1620, 1620S, 2420, 2520, 2620, 2720, SB36, SB52, SB54, SB56, SB58, SB60, SB62, SB64, SB65, VL5080, VL5090, VL550, VL570, VL600, VL6040, VL6050, VL6060, VL6070, VL6080, VL6090, VL610, VL620, VL630, VL640, VL660, VM3080, VM340, VM370, VM390, VM4090, VM460, VK680, VK7090

1620, 1620S, SB33, SB35, SB36, SB53, SB55, SB56, SB58, SB60, SB62, SB64, VL5060, VL530, VL540, VL600, VL6040, VM3080, VM340, VN2090, VN300















**SKATES - GUIDES DESTEMMER**

( THICKNESS 26mm , 5mm MORE than the references )

SB, VL, VX ( 26mm, +5mm )

<p><b>REF.254A</b></p>  <p><b>Comp. 944027443</b></p> <p>SB33, SB35, SB36, SB53, SB55, SB56, SB58, SB60, SB62, SB64, SB65, VL5060, VL5080, VL5090, VL530, VL540, VL550, VL570, VL600, VL6040, VL6050, VL6060, VL6070, VL6080, VL6090, VL610, VL620,</p>	<p><b>REF.255A</b></p>  <p><b>Comp. 944030770</b></p> <p>SB33, SB35, SB36, SB53, SB55, SB56, SB58, SB60, SB62, SB64, SB65, VL5060, VL5080, VL5090, VL530, VL540, VL550, VL570, VL600, VL6040, VL6050, VL6060, VL6070, VL6080, VL6090, VL610, VL620,</p>	<p><b>REF.256A</b></p>  <p><b>Comp. 944030771</b></p> <p>SB33, SB35, SB36, SB53, SB55, SB56, SB58, SB60, SB62, SB64, SB65, VL5060, VL5080, VL5090, VL530, VL540, VL550, VL570, VL600, VL6040, VL6050, VL6060, VL6070, VL6080, VL6090, VL610, VL620,</p>	<p><b>REF.257A</b></p>  <p><b>Comp. 944030810</b></p> <p>SB33, SB35, SB36, SB53, SB55, SB56, SB58, SB60, SB62, SB64, SB65, VL600, VL6040, VL6050, VL6060, VL6070, VL6080, VL6090, VL610, VL620, VL630, VL640, VL660, VM4090, VM460, VX680, VX7090</p>	<p><b>REF.258A</b></p>  <p><b>Comp. 944030811</b></p> <p>SB33, SB35, SB36, SB53, SB55, SB56, SB58, SB60, SB62, SB64, SB65, VL600, VL6040, VL6050, VL6060, VL6070, VL6080, VL6090, VL610, VL620, VL630, VL640, VL660, VM4090, VM460, VX680, VX7090</p>	
<p><b>REF.259A</b></p>  <p><b>Comp. 944030808</b></p> <p>SB33, SB35, SB36, SB53, SB55, SB56, SB58, SB60, SB62, SB64, SB65, VL600, VL6040, VL6050, VL6060, VL6070, VL6080, VL6090, VL610, VL620, VL630, VL640, VL660, VM4090, VM460, VX680, VX7090</p>	<p><b>REF.260A</b></p>  <p><b>Comp. 944030809</b></p> <p>SB33, SB35, SB36, SB53, SB55, SB56, SB58, SB60, SB62, SB64, SB65, VL600, VL6040, VL6050, VL6060, VL6070, VL6080, VL6090, VL610, VL620, VL630, VL640, VL660, VM4090, VM460, VX680, VX7090</p>	<p><b>REF.261A</b></p>  <p><b>Comp. 944027448 (94cm)</b></p> <p>SB33, SB35, SB36, SB53, SB55, SB56, SB58, SB60, SB62, SB64, VL600, VL6040, VL6050, VL6060, VL6070, VL6080, VL6090, VL610, VL620, VL630, VL640, VL660, VM4090, VM460, VX680, VX7090</p>	<p><b>REF.261B</b></p>  <p><b>Comp. 944030102, 94430101 (84cm)</b></p> <p>SB33, SB35, SB53, SB55, VL5060, VL5080, VL5090, VL530, VL540, VL550, VL570, VM3080, VM3090, VM340, VM370, VN2090, VN300</p>	<p><b>REF.266A</b></p>  <p><b>Comp. 944031960</b></p> <p>SB36, SB56, SB58, SB60, SB62, SB64, SB65, VL600, VL6040, VL6050, VL6060, VL6070, VL6080, VL6090, VL610, VL620, VL630, VL640, VL660, VM4090, VM460, VX680, VX7090</p>	
<p><b>REF.262A</b></p>  <p><b>Comp. KIT 87629867 (VL, SB, VX) 18 PIECES</b></p>	<p>4x254A, 2x255A, 2x256A, 2x257A, 2x258A, 2x259A, 2x260A, 2x266A</p>			<p><b>REF.262B</b></p>  <p><b>Comp. KIT 84122582 (VL, SB, VX) 16 PIECES</b></p>	<p>4x254A, 2x255A, 2x256A, 2x257A, 2x258A, 2x259A, 2x260A</p>

SB33, SB35, SB55, VL5080, VL5090, VL530, VL540, VL550, VM340, VM380

<p><b>REF.262C</b></p>  <p><b>Comp. KIT 16 PIECES</b></p> <p>4x254A, 2x255A, 2x256A, 2x581A, 2x582A, 2x583A, 2x583B</p>	<p><b>REF.581A</b></p>  <p><b>Comp. 944032089</b></p> <p>SB33, SB35, SB53, SB55, VL5060, VL5080, VL5090, VL530, VL540, VL550, VL570, VM3080, VM3080 AL, VM3090, VM340, VM370, VN2090</p>	<p><b>REF.582A</b></p>  <p><b>Comp. 944030230</b></p> <p>SB33, SB35, SB53, SB55, VL5060, VL5080, VL5090, VL530, VL540, VL550, VL570, VM3080, VM3080 AL, VM3090, VM340, VM370, VN2090</p>	<p><b>REF.583A</b></p>  <p><b>Comp. 944032090</b></p> <p>SB33, SB35, SB53, SB55, VL5060, VL5080, VL5090, VL530, VL540, VL550, VL570, VM3080, VM3080 AL, VM3090, VM340, VM370, VN2090</p>	<p><b>REF.583B</b></p>  <p><b>Comp. 944030100</b></p> <p>SB33, SB35, SB53, SB55, VL5060, VL5080, VL5090, VL530, VL540, VL550, VL570, VM3080, VM3080 AL, VM3090, VM340, VM370, VN2090</p>
---	---	---	--	---

9040M, 9040L, 9060L, 9090L, 9080L, 9090X

<p><b>REF.264A</b></p>  <p><b>Comp. 84234229</b></p> <p>7030L, 7030M, 7030M H, 8030L, 9030L, 9040L, 9040M, 9050L H, 9050L L, 9060L, 9060L GE, 9060L H, 9060L SH, 9070L H, 9070L L, 9070L L TS, 9070M, 9080L, 9080L GE, 9080L H, 9080L SH, 9090L, 9090L</p>	<p><b>REF.265A</b></p>  <p><b>Comp. 84248137</b></p> <p>7030L, 7030M, 7030M H, 8030L, 9030L, 9040L, 9040M, 9050L H, 9050L L, 9060L, 9060L GE, 9060L H, 9060L SH, 9070L H, 9070L L, 9070L L TS, 9070M, 9080L, 9080L GE, 9080L H, 9080L SH, 9090L, 9090L</p>	<p><b>REF.266B</b></p>  <p><b>Comp. 84243927</b></p> <p>7030L, 7030M, 7030M H, 8030L, 9040L, 9040M, 9060L, 9060L GE, 9060L H, 9060L SH, 9080L, 9080L GE, 9080L H, 9080L SH, 9090L, 9090L GE, 9090L H, 9090X, 9090X H, 9090X H H</p>	<p><b>REF.267A</b></p>  <p><b>Comp. 84248147</b></p> <p>9040L, 9040M, 9080L, 9090L, 9090X</p>	<p><b>REF.268A</b></p>  <p><b>Comp. 84248148</b></p> <p>7030L, 7030M, 7030M H, 8030L, 9040L, 9040M, 9060L, 9060L GE, 9060L H, 9060L SH, 9080L, 9080L GE, 9080L H, 9080L SH, 9090L, 9090L GE, 9090L H, 9090X, 9090X H, 9090X H H</p>
<p><b>REF.269A</b></p>  <p><b>Comp. KIT 18 PIECES</b></p> <p>12x264A, 2x265A, 4x266B</p>	<p><b>REF.719A</b></p>  <p><b>Comp. 84243939</b></p> <p>7030L, 7030M, 7030M H, 8030L, 9040L, 9040M, 9060L, 9060L GE, 9060L H, 9060L SH, 9080L, 9080L GE, 9080L H, 9080L SH, 9090L, 9090L GE, 9090L H, 9090X, 9090X H, 9090X H H</p>	<p><b>REF.720A</b></p>  <p><b>Comp. 87483704</b></p> <p>7030L, 7030M, 7030M H, 8030L, 9040L, 9040M, 9060L, 9060L GE, 9060L H, 9060L SH, 9080L, 9080L GE, 9080L H, 9080L SH, 9090L, 9090L GE, 9090L H, 9090X, 9090X H, 9090X H H, 9090X H T4, 9090X T3, 9090X T4, 9090X T5</p>	<p><b>REF.738A</b></p>  <p><b>Comp. 84287465</b></p> <p>7030L, 7030M, 7030M H, 8030L, 9040L, 9040M, 9050L L, 9060L, 9060L GE, 9060L H, 9070L L, 9070L L TS, 9070M, 9080L, 9080L GE, 9080L H, 9080M H, 9080N L, 9090L, 9090L GE, 9090L H, 9090L H T4, 9090L H T5, 9090L SH, 9090L SH T4, 9090L SH T5, 9090L T3, 9090X, 9090X GE, 9090X GE T4, 9090X GE T5, 9090X H, 9090X H H, 9090X H T4, 9090X T3, 9090X T4, 9090X T5</p>	<p><b>REF.738B</b></p>  <p><b>Comp. 84321487 KIT 48 Pcs.</b></p> <p>12x264A, 2x265A, 4x266B, 1x267A, 1x267B, 4x719A, 24x738A</p>

**NYLON - GUIDES DESTEMMER**

**( THICKNESS 26mm , 6mm MORE than the references )**

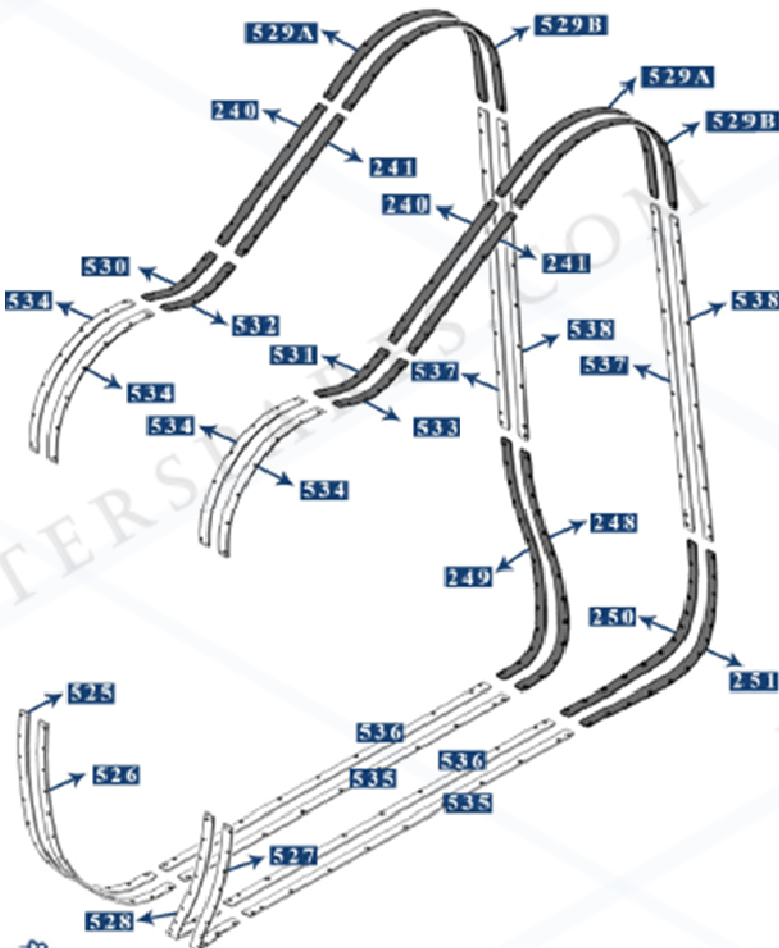
9070L L, 9050L H, 9050L L, 9070L H, 9030L H T4, 9070M, 9090X GE T4, 9090 H T4

(26mm , orig + 6mm)

<p><b>REF.265A</b></p>  <p><b>Comp. 84248137</b></p> <p>7030L, 7030M, 7030M H, 8030L, 9030L, 9040L, 9040M, 9050L H, 9050L L, 9060L, 9060L GE, 9060L H, 9060L SH, 9070L H, 9070L L, 9070L L TS, 9070M, 9080L, 9080L GE, 9080L H, 9080L SH, 9090L, 9090L</p>	<p><b>REF.269B</b></p>  <p><b>Comp. KIT (28 uds)</b></p> <p>2x265A, 4x741A, 2x741B, 2x741C, 4x741D, 2x741E, 2x741F, 8x741G, 1x742C, 1x742D</p>	<p><b>REF.741A</b></p>  <p><b>Comp. 47966974</b></p> <p>9030L, 9050L H, 9050L L, 9070L H, 9070L L, 9070L L TS, 9070M, 9090L H T4, 9090L H TS, 9090L T3, 9090X H T4, 9090X T3, 9090X T4, 9090X T5</p>	<p><b>REF.741B</b></p>  <p><b>Comp. 51417647</b></p> <p>9050L H, 9050L L, 9070L H, 9070L L, 9070L L TS, 9090L H T4, 9090L H TS, 9090L T3, 9090X H T4, 9090X T3, 9090X T4, 9090X T5</p>	
<p><b>REF.741C</b></p>  <p><b>Comp. 51417695</b></p> <p>9050L H, 9050L L, 9070L H, 9070L L, 9070L L TS, 9090L H T4, 9090L H TS, 9090L T3, 9090X H T4, 9090X T3, 9090X T4, 9090X T5</p>	<p><b>REF.741D</b></p>  <p><b>Comp. 51417642</b></p> <p>9050L H, 9050L L, 9070L H, 9070L L, 9070L L TS, 9090L H T4, 9090L H TS, 9090L T3, 9090X H T4, 9090X T3, 9090X T4, 9090X T5</p>	<p><b>REF.741E</b></p>  <p><b>Comp. 51417655</b></p> <p>9050L H, 9050L L, 9070L H, 9070L L, 9070L L TS, 9090L H T4, 9090L H TS, 9090L T3, 9090X H T4, 9090X T3, 9090X T4, 9090X T5</p>	<p><b>REF.741F</b></p>  <p><b>Comp. 51417665</b></p> <p>9050L H, 9050L L, 9070L H, 9070L L, 9070L L TS, 9090L H T4, 9090L H TS, 9090L T3, 9090X H T4, 9090X T3, 9090X T4, 9090X T5</p>	<p><b>REF.741G</b></p>  <p><b>Comp. 51417653</b></p> <p>9050L H, 9050L L, 9070L H, 9070L L, 9070L L TS, 9090L H T4, 9090L H TS, 9090L T3, 9090X H T4, 9090X T3, 9090X T4, 9090X T5</p>
<p><b>REF.742C</b></p>  <p><b>Comp. 48145277</b></p> <p>9030L, 9050L H, 9050L L, 9070L H, 9070L L, 9070L L TS, 9070M, 9090L H T4, 9090L H TS, 9090L T3, 9090X H T4, 9090X T3, 9090X T4, 9090X T5</p>				<p><b>REF.742D</b></p>  <p><b>Comp. 48145279</b></p> <p>9030L, 9050L H, 9050L L, 9070L H, 9070L L, 9070L L TS, 9070M, 9090L H T4, 9090L H TS, 9090L T3, 9090X H T4, 9090X T3, 9090X T4, 9090X T5</p>

9090X OLIVE

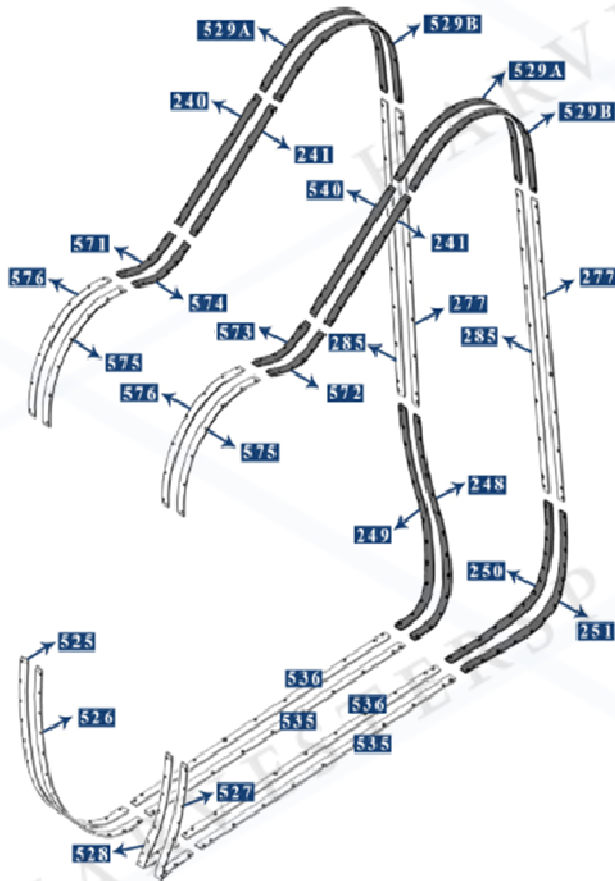
ANTI - FRICTION STEEL



<b>REF.525</b>	Outside left	Comp. 87486375
<b>REF.526</b>	Inside left	Comp. 87486377
<b>REF.527</b>	Outside right	Comp. 87486376
<b>REF.528</b>	Outside right	Comp. 87486378
<b>TRASERAS</b>		
<b>REF.248</b>	Inside left	Comp. 944023837
<b>REF.249</b>	Outside left	Comp. 944023838
<b>REF.250</b>	Inside right	Comp. 944023835
<b>REF.251</b>	Outside right	Comp. 944023836
<b>OTRAS</b>		
<b>REF.529A</b>	Right rear curve	Comp. 944020859
<b>REF.529B</b>	Left rear curve	Comp. 944024537
<b>REF.240</b>	Right upper right	Comp. 944015638
<b>REF.241</b>	Left upper right	Comp. 944015639
<b>REF.530</b>	Left pinion curve	Comp. 84391127
<b>REF.531</b>	Left pinion curve	Comp. 84391129
<b>REF.532</b>	Right pinion curve	Comp. 84391128
<b>REF.533</b>	Right pinion curve	Comp. 84391130
<b>REF.534</b>	Front curve	Comp. 84391069
<b>REF.535</b>	Long bottom straight	Comp. 87486373
<b>REF.536</b>	Long bottom straight	Comp. 87486374
<b>REF.537</b>	Long lateral straight	Comp. 944020862
<b>REF.538</b>	Long lateral straight	Comp. 944020863
<b>REF.539</b>	<b>KIT 16 PIECES</b>	
	1x248 1x249 1x250 1x251 2x529A	2x529B 2x240 2x241
	1x530 1x531 1x532 1x533	
<b>REF.543A</b>	<b>KIT 8 PIECES</b>	
	1x525 1x526 1x527 1x528 1x248	1x249 1x250 1x251
<b>REF.543C</b>	<b>KIT 24 PIECES</b>	
	1x525 1x526 1x527 1x528 1x248	1x249 1x250 1x251
	2x529A 2x529B 2x240 2x241	1x530 1x531 1x532
	1x533 4x534	



**7090X OLIVE**



REF.525  
REF.526  
REF.527  
REF.528

REF.248  
REF.249  
REF.250  
REF.251

REF.529A  
REF.529B  
REF.240  
REF.241  
REF.571  
REF.572  
REF.573  
REF.574  
REF.575  
REF.535  
REF.536  
REF.285  
REF.277

REF.543A

REF.577

REF.543B

**FRONT**

Outside left  
Inside left  
Outside right  
Outside right

**REAR**

Inside left  
Outside left  
Inside right  
Outside right

**OTHER**

Right rear curve  
Left rear curve  
Right upper right  
Left upper right  
Left pinion curve  
Left pinion curve  
Right pinion curve  
Right pinion curve  
Right front curve  
Left front curve  
Long bottom straight  
Long bottom straight  
Long lateral straight  
Long lateral straight

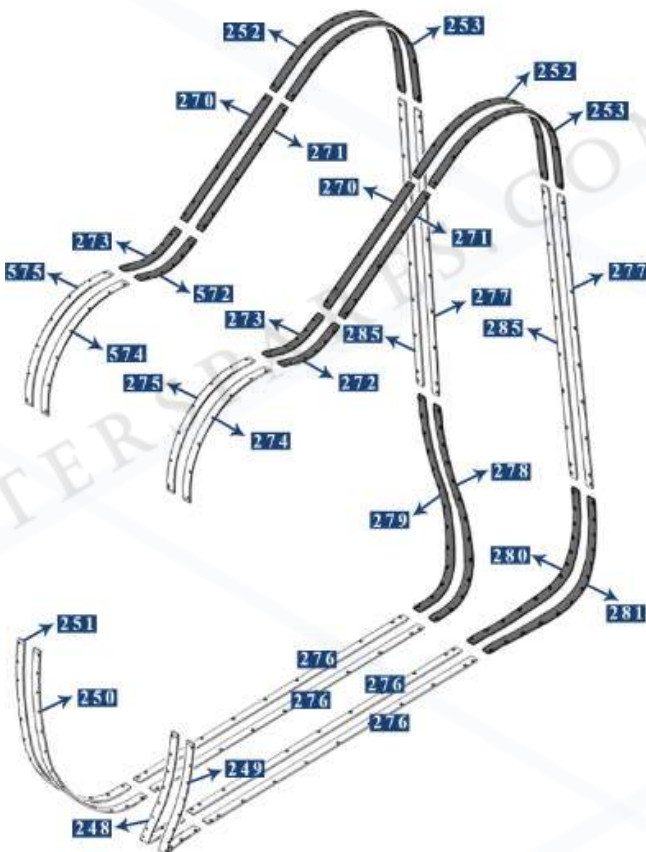
Comp. 87486375  
Comp. 87486377  
Comp. 87486376  
Comp. 87486378

Comp. 944023837  
Comp. 944023838  
Comp. 944023835  
Comp. 944023836

Comp. 944020859  
Comp. 944024537  
Comp. 944015638  
Comp. 944015639  
Comp. 87499779  
Comp. 87499781  
Comp. 87499780  
Comp. 87499778  
Comp. 944032892  
Comp. 944032893  
Comp. 87486373  
Comp. 87486374  
Comp. 944020863  
Comp. 944020862

1x525 1x526 1x527 1x528  
1x248 1x249 1x250 1x251  
1x248 1x249 1x250 1x251  
1x571 1x572 1x573 1x574  
2x529A 2x529B 2x240 2x241  
1x525 1x526 1x527 1x528  
1x248 1x249 1x250 1x251  
2x529 2x529B 2x240 2x241

**9090X**



REF.248  
REF.249  
REF.250  
REF.251

REF.278  
REF.279  
REF.280  
REF.281

REF.252  
REF.253  
REF.270  
REF.271  
REF.272  
REF.273  
REF.274  
REF.275  
REF.276  
REF.285  
REF.277

REF.542A

REF.523A

REF.542C

**FRONT**

Inside left  
Outside left  
Inside right  
Outside right

**REAR**

Inside left  
Outside left  
Inside right  
Outside right

**OTHER**

Right rear curve  
Left rear curve  
Right upper right  
Left upper right  
Left pinion curve  
Right pinion curve  
Right front curve  
Left front curve  
Long bottom straight  
Long lateral straight  
Long lateral straight

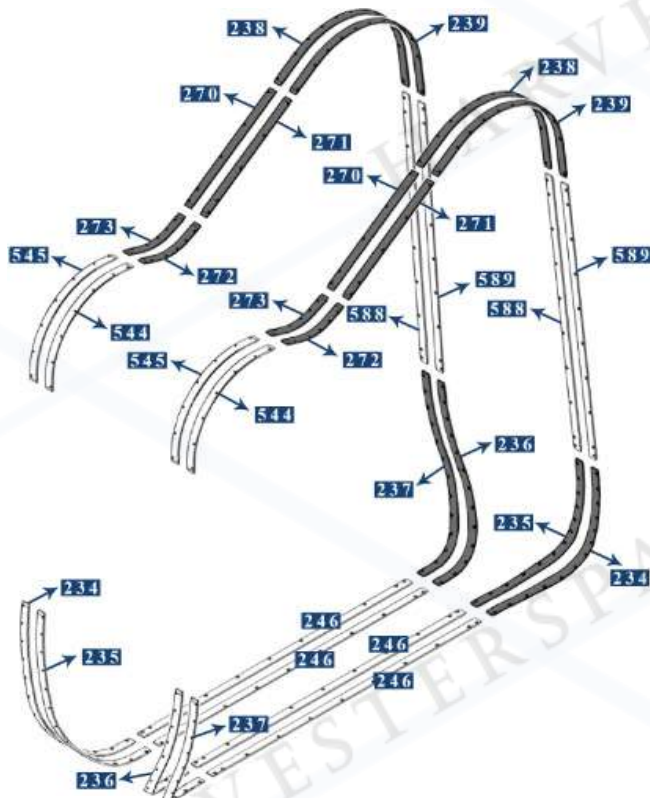
Comp. 944023837  
Comp. 944023838  
Comp. 944023835  
Comp. 944023836

Comp. 944020882  
Comp. 944020880  
Comp. 944020883  
Comp. 944020881

Comp. 84470244  
Comp. 84470245  
Comp. 87644834  
Comp. 87644833  
Comp. 87644822  
Comp. 87644823  
Comp. 84478586  
Comp. 84478585  
Comp. 944020750  
Comp. 944020863  
Comp. 944020862

1x248 1x249 1x250 1x251  
1x278 1x279 1x280 1x281  
1x278 1x279 1x280 1x281  
2x252 2x253 2x270 2x271  
2x272 2x273  
1x248 1x249 1x250 1x251  
1x278 1x279 1x280 1x281

9040L, 9060L, 9080L, 9090L, 9040M



**FRONT/REAR**

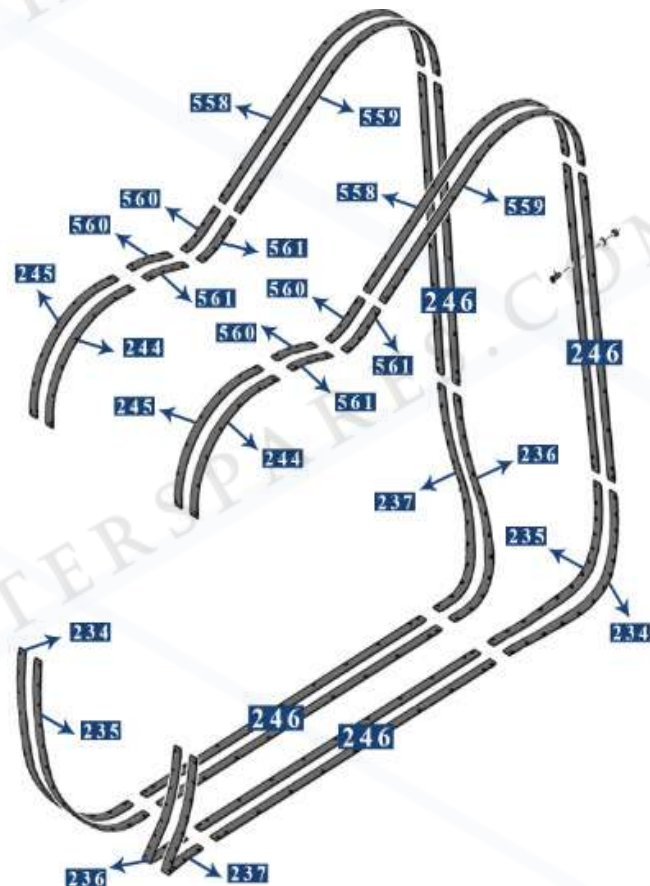
<b>REF.234</b>	Outside right / left	Comp. 944006223
<b>REF.235</b>	Inside left/ right	Comp. 944006222
<b>REF.236</b>	Inside right / left	Comp. 944006220
<b>REF.237</b>	Outside left / right	Comp. 944006221
<b>REF.238</b>	Right rear curve	Comp. 944013735
<b>REF.239</b>	Left rear curve	Comp. 944013736
<b>REF.270</b>	Right upper right	Comp. 87644834
<b>REF.271</b>	Left upper right	Comp. 87644833
<b>REF.272</b>	Left pinion curve	Comp. 87644822
<b>REF.273</b>	Right pinion curve	Comp. 87644823
<b>REF.544</b>	Right front curve	Comp. 87644825
<b>REF.545</b>	Left front curve	Comp. 87644824
<b>REF.246</b>	Long bottom straight	Comp. 944005797
<b>REF.588</b>	Long lateral straight	Comp. 944027192
<b>REF.589</b>	Long lateral straight	Comp. 944027193

<b>REF.541A</b>	KIT 8 PIECES	2x234 2x235 2x236 2x237
<b>REF.544A</b>	KIT 16 PIECES	1x234 1x235 1x236 1x237 2x238 2x239 2x270 2x271 2x272 2x273
<b>REF.541D</b>	KIT 24 PIECES	1x234 1x235 1x236 1x237 2x238 2x239 2x270 2x271 2x272 2x273

SB36

OPTION 1

SB56, SB58, SB60, SB62, SB64

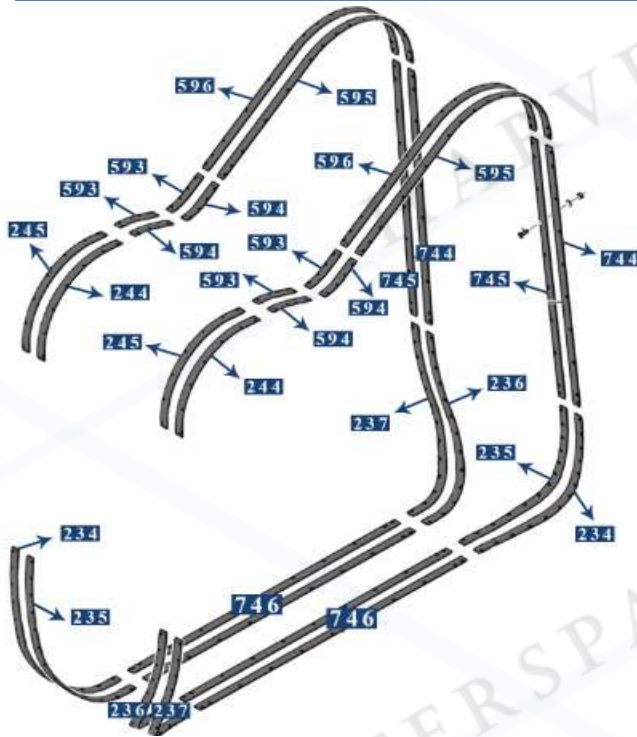


<b>REF.234</b>	Outside right / left	Comp. 944006223
<b>REF.235</b>	Inside left/ right	Comp. 944006222
<b>REF.236</b>	Inside right / left	Comp. 944006220
<b>REF.237</b>	Outside left / right	Comp. 944006221
<b>REF.558</b>	Right rear curve	Comp. 944007948
<b>REF.559</b>	Left rear curve	Comp. 944007949
<b>REF.560</b>	Right pinion curve	Comp. 944007945
<b>REF.561</b>	Left pinion curve	Comp. 944007944
<b>REF.244</b>	Left front curve	Comp. 944007947
<b>REF.245</b>	Right front curve	Comp. 944007946
<b>REF.246</b>	Long bottom straight	Comp. 944005797

<b>REF.541A</b>	KIT 8 PIECES	2x234 2x235 2x236 2x237
<b>REF.522B</b>	KIT 9965156 16 PIECES	1x234 1x235 1x236 1x237 2x558 2x559 4x560 4x561
<b>REF.541E</b>	KIT 24 PIECES	2x234 2x235 2x236 2x237 2x558 2x559 4x560 4x561 2x224 2x245

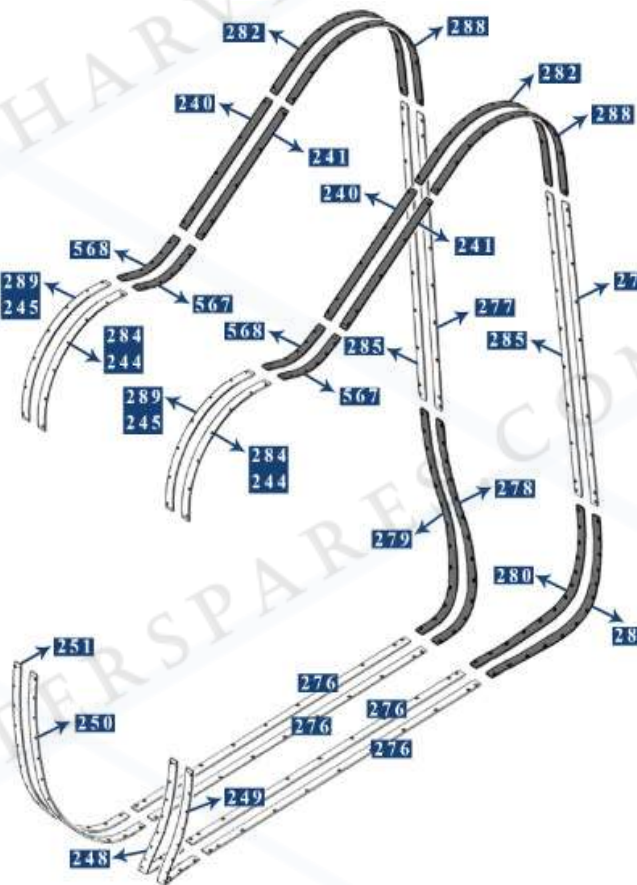


**SB33, SB35, SB53, SB55**

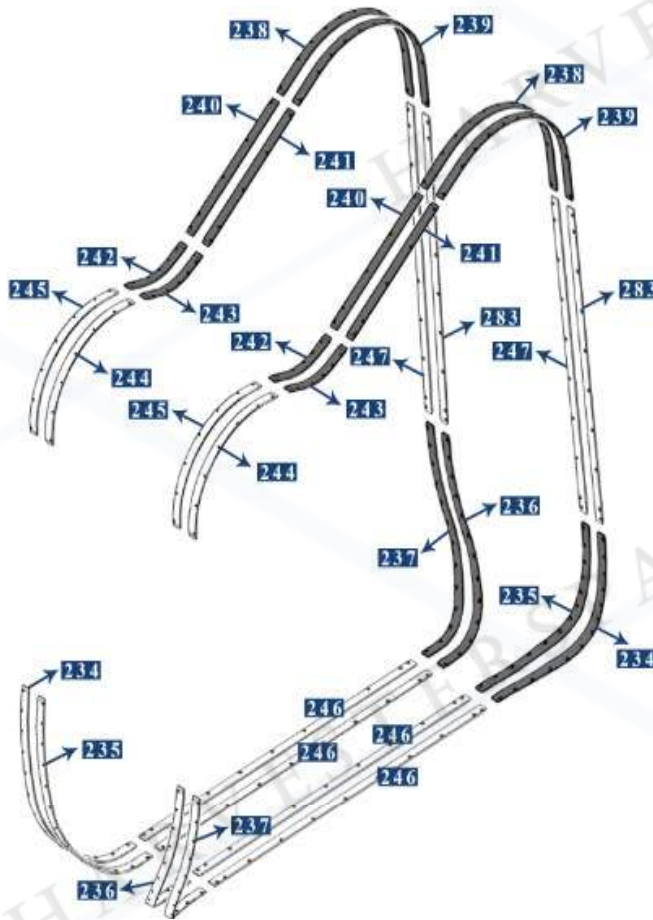


<b>REF.234</b>	Outside right / left	Comp. 944006223
<b>REF.235</b>	Inside left/ right	Comp. 944006222
<b>REF.236</b>	Inside right / left	Comp. 944006220
<b>REF.237</b>	Outside left / right	Comp. 944006221
<b>REF.596</b>	Right rear curve	Comp. 944013294
<b>REF.595</b>	Left rear curve	Comp. 944013295
<b>REF.594</b>	Right pinion curve	Comp. 3 x Ø
<b>REF.593</b>	left pinion curve	Comp. 3 x Ø
<b>REF.744</b>	Left front curve	Comp. 944007947
<b>REF.745</b>	Right front curve	Comp. 944007946
<b>REF.744</b>	Long lateral straight	Comp. 944013298
<b>REF.745</b>	Long lateral straight	Comp. 944013299
<b>REF.746</b>	bottom straight	Comp. 944009291
<b>REF.541A</b>	KIT 8 PIECES	2x234 2x235 2x236 2x237
<b>REF.522C</b>	KIT 9964808 20 PIECES	Comp. - 2x234 2x235 2x236 2x237 2x596 2x595 4x594 4x593
<b>REF.541F</b>	KIT 24 PIECES	2x234 2x235 2x236 2x237 2x596 2x595 4x594 4x593 2x244 2x245

**VX7090, VX680, SB65**



<b>REF.248</b>	Inside left	Comp. 944023837
<b>REF.249</b>	Outside left	Comp. 944023838
<b>REF.250</b>	Inside right	Comp. 944023835
<b>REF.251</b>	Outside right	Comp. 944023836
<b>REAR</b>		
<b>REF.278</b>	Inside left	Comp. 944020882
<b>REF.279</b>	Outside left	Comp. 944020880
<b>REF.280</b>	Inside right	Comp. 944020883
<b>REF.281</b>	Outside right	Comp. 944020881
<b>OTHER</b>		
<b>REF.282</b>	Right rear curve	Comp. 944020859
<b>REF.288</b>	Left rear curve	Comp. 944024537
<b>REF.240</b>	Right upper right	Comp. 944015638
<b>REF.241</b>	Left upper right	Comp. 944015639
<b>REF.567</b>	Left pinion curve	Comp. 944015993
<b>REF.568</b>	Right pinion curve	Comp. 944015994
<b>REF.276</b>	Long bottom straight	Comp. 944020750
<b>REF.285</b>	Long lateral straight	Comp. 944020863
<b>REF.277</b>	Long lateral straight	Comp. 944020862
<b>VX7090 / VX680</b>		
<b>REF.284</b>	Right front curve	Comp. 944032892
<b>REF.289</b>	Left front curve ext	Comp. 944032893
<b>REF.542B</b>	KIT 24 PIECES	1x248 1x249 1x250 1x251 1x278 1x279 1x280 1x281 2x282 2x288 2x240 2x241 2x567 2x568 2x284 2x289
<b>SB65</b>		
<b>REF.244</b>	Left front curve	Comp. 944007947
<b>REF.245</b>	Right front curve	Comp. 944007946
<b>REF.542A</b>	KIT 8 PIECES	1x248 1x249 1x250 1x251 1x278 1x279 1x280 1x281
<b>REF.524</b>	KIT 16 PIECES	1x278 1x279 1x280 1x281 2x282 2x288 2x240 2x241 2x567 2x568
<b>REF.542D</b>	KIT 24 PIECES	1x248 1x249 1x250 1x251 1x278 1x279 1x280 1x281 2x282 2x288 2x240 2x241 2x567 2x568 2x244 2x245



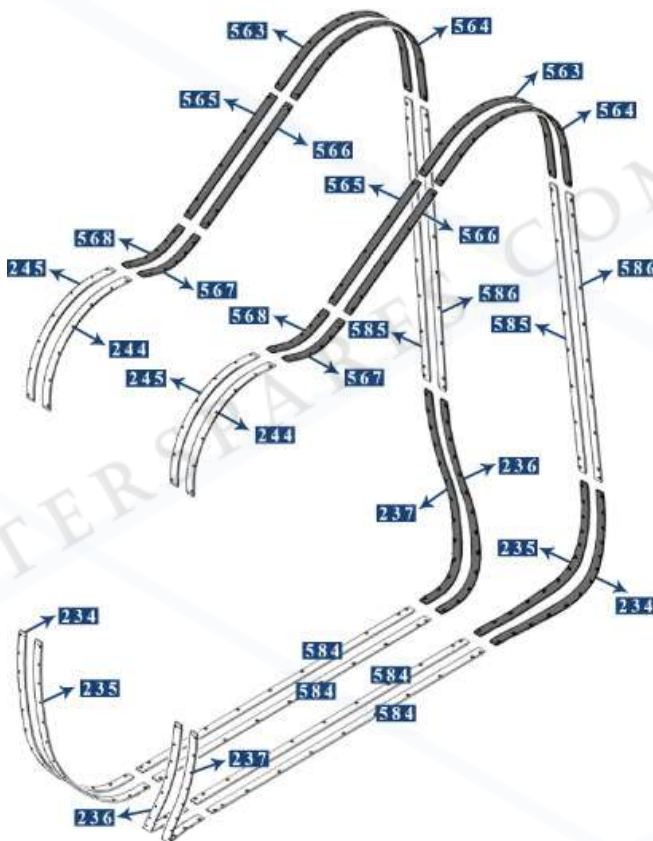
**FRONT/REAR**

REF.234	Outside right / left	Comp. 944006223
REF.235	Inside left/ right	Comp. 944006222
REF.236	Inside right / left	Comp. 944006220
REF.237	Outside left / right	Comp. 944006221
REF.238	Right rear curve	Comp. 944013735
REF.239	Left rear curve	Comp. 944013736
REF.240	Right upper right	Comp. 944015638
REF.241	Left upper right	Comp. 944015639
REF.242	Left pinion curve	Comp. 944022396
REF.243	Right pinion curve	Comp. 944022397
REF.244	Left front curve	Comp. 944007947
REF.245	Right front curve	Comp. 944007946
REF.246	Long bottom straight	Comp. 944005797
REF.247	Long lateral straight	Comp. 944015929
REF.283	Long lateral straight	Comp. 944015930

REF.541A KIT 8 PIECES 2x234 2x235 2x236 2x237

REF.522 KIT 16 PIECES 1x234 1x235 1x236 1x237  
2x238 2x239 2x240 2x241  
2X242 2X243

REF.541B KIT 24 PIECES 2x234 2x235 2x236 2x2387  
2x238 2x239 2x240 2x241  
2x242 2x243 2x244 2x245



**FRONT/REAR**

REF.234	Outside right / left	Comp. 944006223
REF.235	Inside left/ right	Comp. 944006222
REF.236	Inside right / left	Comp. 944006220
REF.237	Outside left / right	Comp. 944006221
REF.563	Right rear curve	Comp. 944015982
REF.564	Left rear curve	Comp. 944015983
REF.565	Right upper right	Comp. 944015712
REF.566	Left upper right	Comp. 944015713
REF.567	Left pinion curve	Comp. 944015993
REF.568	Right pinion curve	Comp. 944015994
REF.244	Left front curve	Comp. 944007947
REF.245	Right front curve	Comp. 944007946
REF.584	Long bottom straight	Comp. 944009291
REF.585	Long lateral straight	Comp. 944015616
REF.586	Long lateral straight	Comp. 944015617

REF.541A KIT 8 PIECES 2x234 2x235 2x236 2x237

REF.569 KIT 16 PIECES 1x234 1x235 1x236 1x237  
2x563 2x564 2x565 2x566  
2x567 2x568

REF.541C KIT 24 PIECES 2x234 2x235 2x263 2x237  
2x558 2x559 4x560 4x561  
2x244 2x245





MANUFACTURE OF NEW REAR DEFLECTORS (transport not included)



CEPA GUIDE  
LEFT/RIGHT



SOLE



REAR DEFLECTOR  
LEFT/RIGHT



FRONT DEFLECTOR  
LEFT/RIGHT

SB36, SB53, SB55, SB56, SB58, SB60, SB62, SB64, VL5060, VL5080, VL5090, VL530, VL540, VL550, VL570

<b>REF.701A</b>	REAR DEFLECTOR RIGHT	Comp. 944015273
<b>REF.702A</b>	REAR DEFLECTOR LEFT	Comp. 944015274
<b>REF.703A</b>	KIT REAR DEFLECTOR RIGHT+LEFT	Comp. 9965152

9030L, 9040L, 9040M, 9060L, 9060L GE, 9060L H, 9060L SH, 9080L, 9080L GE, 9080L H, 9080L SH, 9090L, 9090L GE, 9090L H, 9090L SH, SB36, SB56, SB58, SB60, SB62, SB64, VL600, VL6040, VL6050, VL6060, VL6070, VL6080, VL6090, VL610, VL620, VL630, VL640, VL660, VM4090, VM460

<b>REF.701C</b>	CEPA GUIDE RIGHT	Comp. 944011412
<b>REF.702C</b>	CEPA GUIDE LEFT	Comp. 944011411
<b>REF.701D</b>	BASE	Comp. 944005585

7030L, 8030L, 9030L, 9040L, 9050L H, 9050L L, 9050L SH, 9060L, 9060L GE, 9060L H, 9060L SH, 9070L H, 9070L L, 9070L L TS, 9070L SH, 9080L, 9080L GE, 9080L H, 9080L SH, 9090L, 9090L GE, 9090L H, 9090L H T4, 9090L H T5, 9090L SH, 9090L SH T4, 9090L SH T5, 9090L T3

<b>REF.704D</b>	REAR DEFLECTOR RIGHT	Comp. 84243748
<b>REF.705D</b>	REAR DEFLECTOR LEFT	Comp. 84243747
<b>REF.703A</b>	KIT REAR DEFLECTOR RIGHT+LEFT	Comp. 9965152
<b>REF.704C</b>	FRONT DEFLECTOR RIGHT	Comp. 87648911
<b>REF.705C</b>	FRONT DEFLECTOR LEFT	Comp. 87648899
<b>REF.705E</b>	KIT (2 front deflector+2cepa guides+2bases)	Comp. 48061238

VL600, VL6040, VL6050, VL6060, VL6070, VL6080, VL6090, VL610, VL620, VL630, VL640, VL660, VM4090, VM460

<b>REF.704A</b>	REAR DEFLECTOR RIGHT	Comp. 944031305
<b>REF.705A</b>	REAR DEFLECTOR LEFT	Comp. 944031304
<b>REF.706A</b>	KIT REAR DEFLECTOR RIGHT+LEFT	Comp. 84126212
<b>REF.704B</b>	FRONT DEFLECTOR RIGHT	Comp. 944031303
<b>REF.705B</b>	FRONT DEFLECTOR LEFT	Comp. 944031302
<b>REF.706B</b>	KIT (2 front deflector+2cepa guides+2bases)	Comp. 47384999

SB36, SB56, SB58, SB60, SB62, SB64

<b>REF.701B</b>	FRONT DEFLECTOR RIGHT	Comp. 944006752
<b>REF.702B</b>	FRONT DEFLECTOR LEFT	Comp. 944006751
<b>REF.703B</b>	KIT(2 front deflector+2cepa guides+2bases)	Comp. 84354860

SB33, SB35, SB53, SB55, VL5060, VL5080, VL5090

<b>REF.701BB</b>	FRONT DEFLECTOR RIGHT	Comp. 944012193
<b>REF.702BB</b>	FRONT DEFLECTOR LEFT	Comp. 944012194
<b>REF.703BB</b>	KIT(2 front deflector+2cepa guides+2bases)	Comp. 84589810

SB65, VX680, VX7090

<b>REF.707A</b>	REAR DEFLECTOR RIGHT	Comp. 944031759
<b>REF.708A</b>	REAR DEFLECTOR LEFT	Comp. 944031760
<b>REF.709A</b>	KIT REAR DEFLECTOR RIGHT+LEFT	Comp. 87629911
<b>REF.707B</b>	FRONT DEFLECTOR RIGHT	Comp. 944033616
<b>REF.708B</b>	FRONT DEFLECTOR LEFT	Comp. 944033603
<b>REF.707C</b>	CEPA GUIDE RIGHT	Comp. 944020671
<b>REF.708C</b>	CEPA GUIDE LEFT	Comp. 944020670
<b>REF.707D</b>	BASE	Comp. 944020654
<b>REF.709B</b>	KIT (2 front deflector+2cepa guides+2bases)	Comp. -

VL5060, VL5080, VL5090, VL530, VL540, VL550, VL570

<b>REF.701G</b>	FRONT DEFLECTOR RIGHT	Comp. 944032672
<b>REF.702E</b>	FRONT DEFLECTOR LEFT	Comp. 944032671
<b>REF.701E</b>	GUIDE CEP DROITE	Comp. 944009292
<b>REF.702D</b>	GUIDE CEP GAUCHE	Comp. 944009293
<b>REF.701F</b>	BASE	Comp. 944009296

9090X O, 9090X O GE, 9090X O GE T3, 9090X O GE T4, 9090X O GE T5, 9090X O H T4, 9090X O T3, 9090X O T4, 9090X O T5, 9090X OP, 9090X OP GE, VX7090

<b>REF.707G</b>	REAR DEFLECTOR RIGHT	Comp. 87690491
<b>REF.708F</b>	REAR DEFLECTOR LEFT	Comp. 87690490
<b>REF.709D</b>	KIT REAR DEFLECTOR RIGHT+LEFT	Comp. 47523030
<b>REF.707H</b>	FRONT DEFLECTOR RIGHT	Comp. 87683713
<b>REF.708G</b>	FRONT DEFLECTOR LEFT	Comp. 87683714
<b>REF.707J</b>	CEPA GUIDE RIGHT	Comp. 87486382
<b>REF.708H</b>	CEPA GUIDE LEFT	Comp. 87486381
<b>REF.707K</b>	BASE RIGHT	Comp. 87486388
<b>REF.707L</b>	BASE LEFT	Comp. 87486379

9090X, 9090X GE, 9090X H, 9090X H H

<b>REF.708J</b>	REAR DEFLECTOR RIGHT	Comp. 84470410
<b>REF.708K</b>	REAR DEFLECTOR LEFT	Comp. 84470411
<b>REF.709E</b>	KIT REAR DEFLECTOR RIGHT+LEFT	Comp. 84470644
<b>REF.707N</b>	FRONT DEFLECTOR RIGHT	Comp. 84470376
<b>REF.708D</b>	FRONT DEFLECTOR LEFT	Comp. 84470377
<b>REF.707E</b>	CEPA GUIDE RIGHT	Comp. 84479820
<b>REF.708E</b>	CEPA GUIDE LEFT	Comp. 84479821
<b>REF.707F</b>	BASE	Comp. 944020654
<b>REF.709C</b>	KIT (2 front deflector+2cepa guides+2bases)	Comp. -

**SPECIAL SELLING GREASES**



**LITHIUM GREASE**

**FOR MANUAL GREASING - FLUIDITY LEVEL "2" (THICK)**

<b>REF.401D</b>	LITKEN EP2 (con aditivos EP) (lata 5kg)
<b>REF.401E</b>	LITKEN EP2 (con aditivos EP) Cartucho 420m.l.

**FOR AUTOMATIC LUBRICATION - LEVEL "00" FLUIDS (LIQUID)**

<b>REF.401F</b>	LITKEN EP00 (con aditivos EP) (lata 5kg)
-----------------	--

**FOOD GREASE**


**FOR MANUAL GREASING - FLUIDITY LEVEL "2" (THICK)**


<b>REF.407B</b>	ULTRAPLEX FG2 (lata 5kg)
<b>REF.403D</b>	ULTRAPLEX FG2 Cartucho 420m.l


**FOR AUTOMATIC LUBRICATION - LEVEL "00" FLUIDS (LIQUID)**


<b>REF.407E</b>	ULTRAPLEX FG00 (lata 5kg)
-----------------	---------------------------


**OILS**

<b>REF.512A</b>	ENGINE OIL AMBRA MASTERGOLD MASTERGOLD HSP 5 l	
	HSP SAE 15W - 40NH 330 HSP	

<b>REF.512B</b>	ENGINE OIL AMBRA MASTERGOLD MASTERGOLD HSP 20 l	
	HSP SAE 15W - 40NH 330 HSP	

<b>REF.513A</b>	HYDRAULIC OIL AMBRA HYDROSYSTEM 68 20 l	
-----------------	---	---

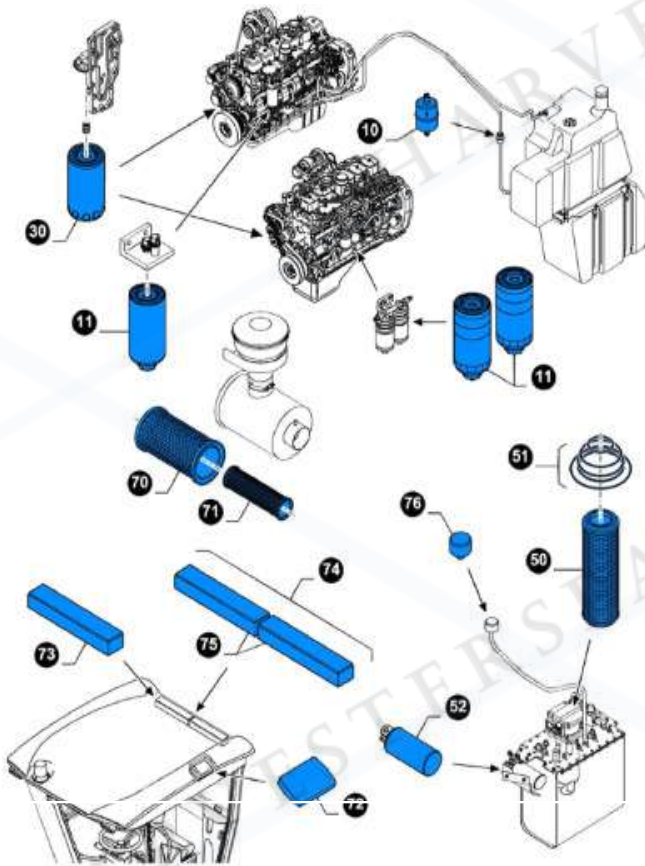
<b>REF.513H</b>	HYDRAULIC OIL AMBRA HYDROSYSTEM 68 5 l	
-----------------	--	---

<b>REF.514A</b>	ANTIFREEZE AMBRA AGRIFLU 5L AGRIFLU MIX 5 l	
	NH 900B	



**FILTER**

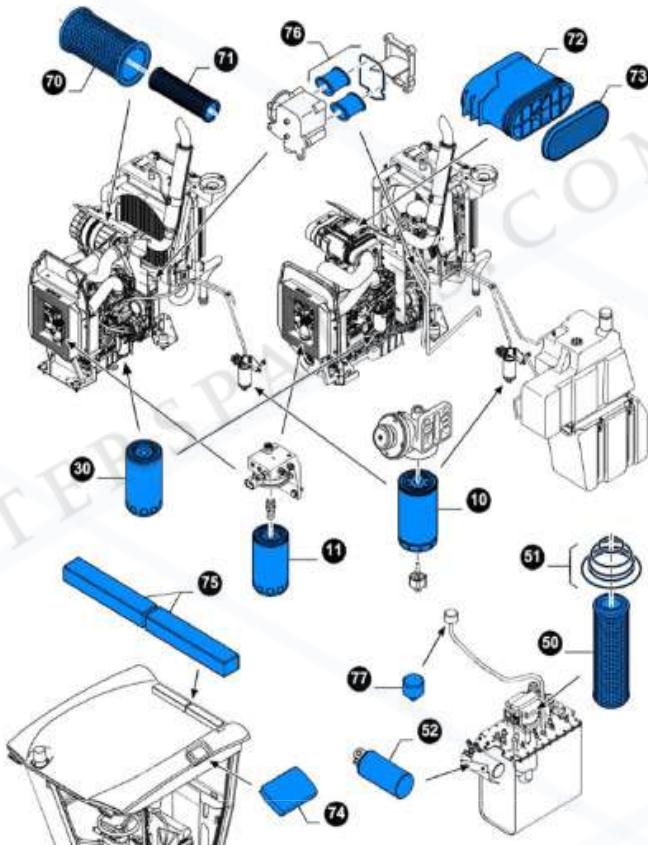
VL (VL600, VL6040, VL6050, VL6060, VL6070, VL6080, VL6090, VL610, VL620, VL630, VL640, VL660)



		<b>FUEL</b>		
REF.515A	<b>10</b>	(10) PRE-FILTER GASOIL	Comp. 87400394, D139225	
REF.515B	<b>11</b>	(11) F.GASOIL	Comp. 2852693, 87803192	
REF.515C	<b>11</b>	(11) F.GASOIL	Comp. 1902138	
REF.515D	<b>11</b>	(11) F.GASOIL	Comp. 84209753, 84526251	
		<b>OIL</b>		
REF.516A	<b>30</b>	(30) F.ENGINE	Comp. 2852526, 87803260	
REF.516B	<b>30</b>	(30) F.ENGINE	Comp. 4897898, 84228488	
		<b>HYDRAULIC</b>		
REF.599A	<b>50</b>	(50) F.HYDRAULIC	Comp. 9964918	
REF.722A	<b>51</b>	(51) LOCKING RING	Comp. 87547082	
REF.599C	<b>52</b>	(52) F. HYDRAUL. RETURN	Comp. 9964728	
		<b>AIR</b>		
REF.597B	<b>70</b>	(70) F. AIR	Comp. 9965158, 87682973	
REF.597D	<b>71</b>	(71) F. AIR	Comp. 9965159, 87682972	
		<b>CABIN</b>		
REF.597T	<b>72</b>	(72) F. CABINE	Comp. 84607214	
REF.597M	<b>73</b>	(73) F. AIR	Comp. 944028550	
REF.597E	<b>74</b>	(74) KIT F. CABINE 2ud	Comp. 713008035	
REF.597F	<b>75</b>	(75) F. CABIN CARBON	Comp. 944032451	
REF.597G	<b>76</b>	(76) F. PULL	Comp. 920018819	

**FILTER**

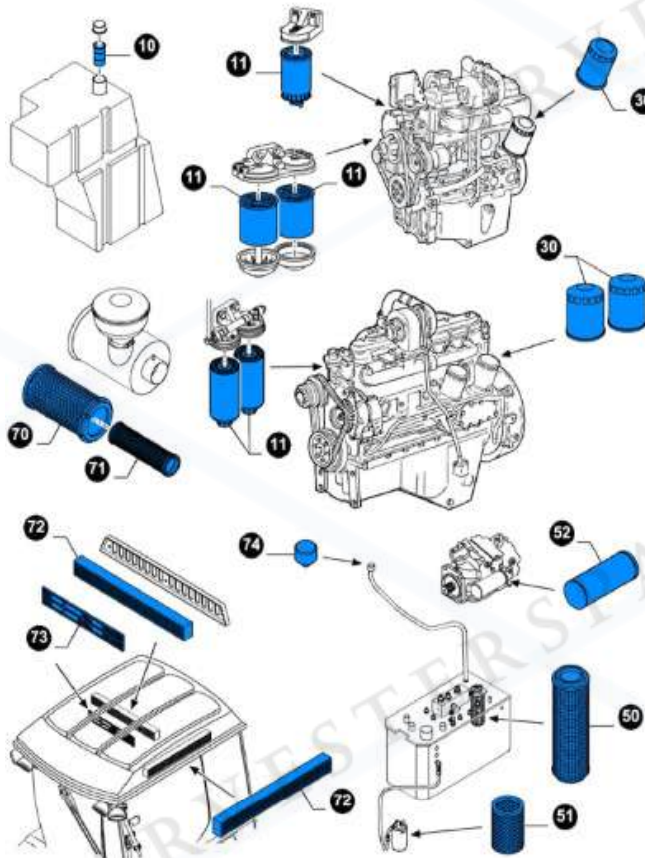
9040L, 9060L, 9080L, 9090L, 9090X, 9090X OLIVE



		<b>FUEL</b>		
REF.515R	<b>10</b>	PRE-FILTRE	Comp. 87533313, 87592170	
REF.515S	<b>10</b>	(10) PRE-FILTRE	Comp. 84337371, 84348882	
REF.515T	<b>11</b>	(11) F. GASOIL	Comp. 4897897, 73332236	
REF.516C	<b>30</b>	(30) F. ENGINE	Comp. 4897898, 842288488	
		<b>OIL</b>		
REF.599A	<b>50</b>	(50) F.HYDRAULIC	Comp. 9964918	
REF.722A	<b>51</b>	(51) LOCKING RING	Comp. 87547082	
REF.599C	<b>52</b>	(52) F. HYDRAUL. RETURN	Comp. 9964728	
		<b>AIR</b>		
REF.597P	<b>70</b>	(70) F. AIR	Comp. 87704244	
REF.597Q	<b>71</b>	(71) F. AIR	Comp. 87682992	
		<b>CABIN</b>		
REF.597R	<b>72</b>	(72) F. AIR	Comp. 87687267	
REF.597S	<b>73</b>	(73) F. AIR	Comp. 87687268	
REF.597T	<b>74</b>	(72) F. CABINE	Comp. 84607214	
REF.597M	<b>75</b>	(73) F. AIR	Comp. 944028550	
REF.597E	<b>75</b>	(74) KIT F. CABINE 2ud	Comp. 713008035	
REF.597U	<b>76</b>	(76) FILTRE	Comp. 2992447	
REF.597I	<b>77</b>	(77) F. PULL	Comp. 920018819	

**FILTER**

SB (SB56, SB58, SB60, SB64, SB65)



REF.724A  
REF.515H  
REF.515J  
REF.516E

REF.516D  
REF.516F

REF.599B  
REF.599C  
REF.599D  
REF.599E

REF.597B  
REF.597A  
REF.723A  
REF.597C  
REF.597D

REF.597J  
REF.597K  
REF.597L  
REF.599H  
REF.597G

**FUEL**

- 10** (10) ELEMENT
- 11** (11) F.GASOIL
- 11** (11) F.GASOIL
- 30** (30) F.ENGINE

**OIL**

- 30** (30) F.ENGINE
- 30** (30) F.ENGINE

**HYDRAULIC**

- 50** (50) F.HYDRAULIC
- 51** (52) F. HYDRAUL. RETURN
- 52** (52) F.HYDRAULIC
- 52** (52) F.HYDRAULIC

**AIR**

- 70** (70) F. AIR
- 70** (70) F. AIR
- 71** (71) F. AIR
- 71** (71) F. AIR
- 71** (71) F. AIR

**CABIN**

- 72** (72) F.CABIN
- 72** (72) F.CABIN CARBON
- 73** (73) F.CABIN
- 74** (74) F.PULL
- 74** (76) F. PULL

Comp. 944010988=47385140  
Comp. 1930010, 471357706, 842214564  
Comp. 1909100  
Comp. 1931047

Comp. 1909102, 84221215  
Comp. 87803260, 84228488

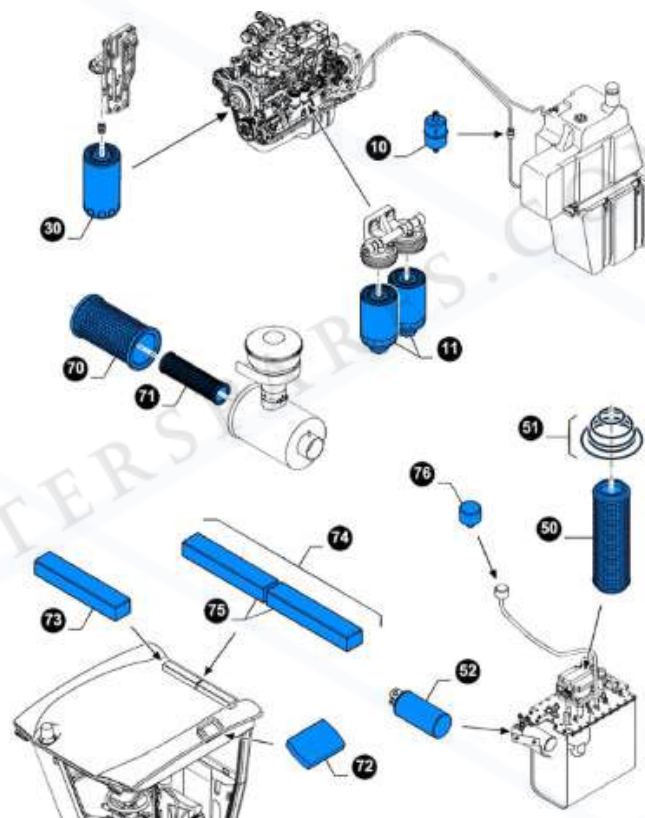
Comp. 920018520  
Comp. 9964728  
Comp. 920018543  
Comp. 920019190

Comp. 9965158, 87682973  
Comp. 1930784, 87682973  
Comp. 1909964  
Comp. 1930790  
Comp. 9965159, 87682972

Comp. 321750750, 47405000  
Comp. 920018705  
Comp. 9966191  
Comp. 700055604, 84078520  
Comp. 920018819

**FILTER**

680



REF.515A  
REF.515K

REF.516G

REF.599A  
REF.722A  
REF.599C

REF.597B  
REF.597D

REF.597T  
REF.597M  
REF.597E  
REF.597F  
REF.597G

**FUEL**

- 10** (10) PRE-FILTER GASOIL
- 11** (11) F.GASOIL

**OIL**

- 30** (30) F. ENGINE

**HYDRAULIC**

- 50** (50) F.HYDRAULIC
- 51** (51) LOCKING RING
- 52** (52) F. HYDRAUL. RETURN

**AIR**

- 70** (70) F. AIR
- 71** (71) F. AIR

**CABIN**

- 72** (72) F. CABINE
- 72** (73) F. AIR
- 73** (74) KIT F. CABINE 2ud
- 74** (75) F. CABIN CARBON
- 74** (76) F. PULL

Comp. 87400394, D139225  
Comp. 1902138

Comp. 2852138, 87803260,

Comp. 9964918  
Comp. 87547082  
Comp. 9964728

Comp. 9965158, 87682973  
Comp. 9965159, 87682972

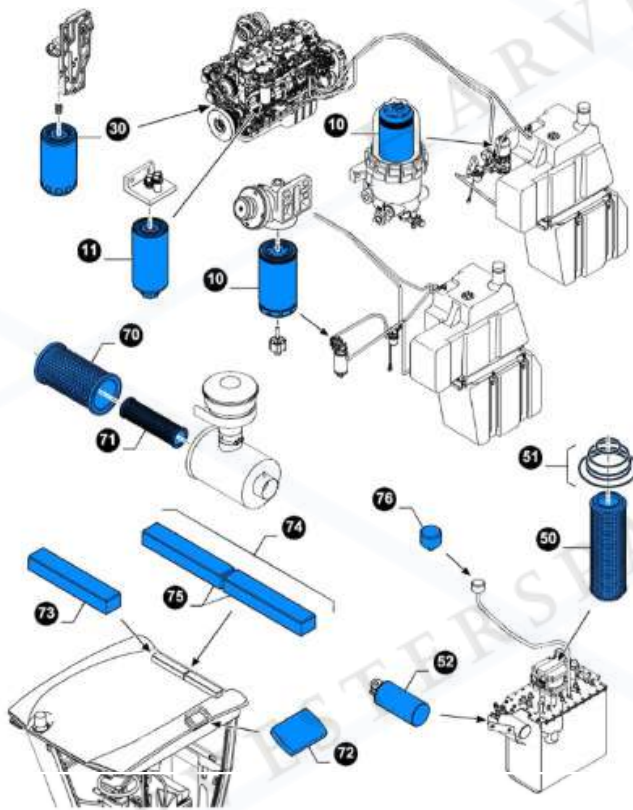
Comp. 84607214  
Comp. 944028550  
Comp. 713008035  
Comp. 944032451  
Comp. 920018819





FILTER

7090



<b>FUEL</b>			
REF.515L	<b>10</b>	(10) PRE-FILTRE GASOIL	Comp. 87519301, 87592171
REF.515M	<b>10</b>	(10) PRE-FILTRE GASOIL	Comp. 84283691
REF.515N	<b>11</b>	(11) F. GASOIL	Comp. 2852693
REF.515P	<b>11</b>	(11) F. GASOIL	Comp. 2830348
REF.515Q	<b>11</b>	(11) F. GASOIL	Comp. 84209753, 84526251

<b>OIL</b>			
REF.516J	<b>30</b>	(30) F. ENGINE	Comp. 2852526
REF.516B	<b>30</b>	(30) F. ENGINE	Comp. 4897898, 84228488

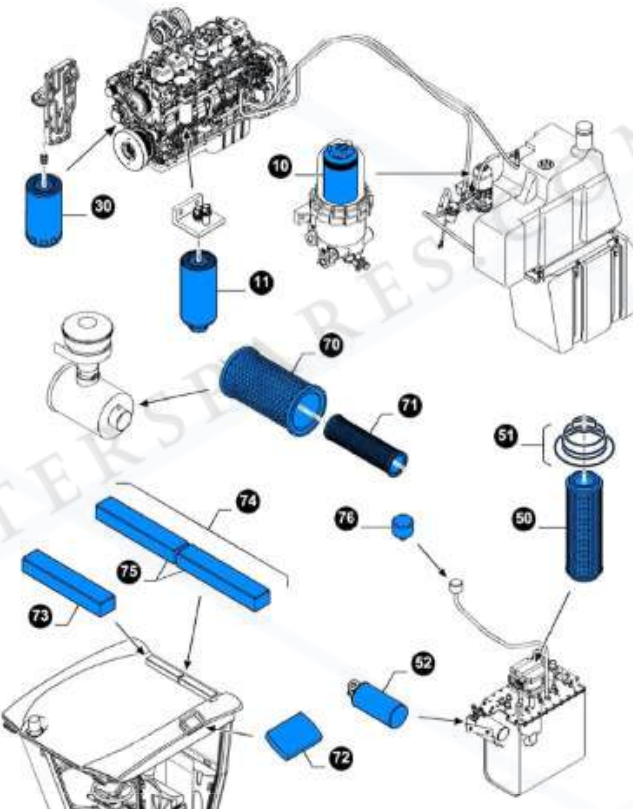
<b>HYDRAULIC</b>			
REF.599A	<b>50</b>	(50) F. HYDRAULIC	Comp. 9964918
REF.722A	<b>51</b>	(51) LOCKING RING	Comp. 87547082
REF.599C	<b>52</b>	(52) F. HYDRAUL. RETURN	Comp. 9964728

<b>AIR</b>			
REF.597B	<b>70</b>	(70) F. AIR	Comp. 9965158, 87682973
REF.597D	<b>71</b>	(71) F. AIR	Comp. 9965159, 87682972

<b>CABIN</b>			
REF.597T	<b>72</b>	(72) F. CABINE	Comp. 84607214
REF.597M	<b>73</b>	(73) F. AIR	Comp. 944028550
REF.597E	<b>74</b>	(74) KIT F. CABINE 2ud	Comp. 713008035
REF.597F	<b>75</b>	(75) F. CABIN CARBON	Comp. 944032451
REF.597G	<b>76</b>	(76) F. PULL	Comp. 920018819

FILTER

7090 OLIVE



<b>FUEL</b>			
REF.515M	<b>10</b>	(10) PRE-FILTRE GASOIL	Comp. 84283691
REF.515Q	<b>11</b>	(11) F. GASOIL	Comp. 84209753, 84526251

<b>OIL</b>			
REF.516B	<b>30</b>	(30) F. ENGINE	Comp. 4897898, 84228488

<b>HYDRAULIC</b>			
REF.599A	<b>50</b>	(50) F. HYDRAULIC	Comp. 9964918
REF.722A	<b>51</b>	(51) LOCKING RING	Comp. 87547082
REF.599C	<b>52</b>	(52) F. HYDRAUL. RETURN	Comp. 9964728

<b>AIR</b>			
REF.597B	<b>70</b>	(70) F. AIR	Comp. 9965158, 87682973
REF.597D	<b>71</b>	(71) F. AIR	Comp. 9965159, 87682972
REF.597T	<b>74</b>	(72) F. CABINE	Comp. 84607214
REF.597M	<b>73</b>	(73) F. AIR	Comp. 944028550
REF.597E	<b>74</b>	(74) KIT F. CABINE 2ud	Comp. 713008035
REF.597F	<b>75</b>	(75) F. CABIN CARBON	Comp. 944032451
REF.597G	<b>76</b>	(76) F. PULL	Comp. 920018819

REF.106B



MEDIUM YELLOW MOULD. ARC TIE-ROD 1.125 mm. D25

Comp. 265675

G MM, G 60, G 60 I, G 70, G 70 A, G 71, G 80, G 85, G 86, G 90, G 103, G 104, G 105, G 106, G 107, G 110, G 114, G 115, G 116, G 117, G 135 V, G 2.220, G 2.230, G 4.220, G 6.200, G 6.210, G 7.210, G 7.220,

REF.106C\*



MEDIUM YELLOW MOULD. ARC TIE-ROD 1.125 mm. "ORIGINAL"

Comp. 265675

G MM, G 60, G 60 I, G 70, G 70 A, G 71, G 80, G 85, G 86, G 90, G 103, G 104, G 105, G 106, G 107, G 110, G 114, G 115, G 116, G 117, G 135 V, G 2.220, G 2.230, G 4.220, G 6.200, G 6.210, G 7.210, G 7.220,

REF.106D



MEDIUM YELLOW MOULD. ARC TIE-ROD 1.125 mm. D25

Comp. 265675

G MM, G 60, G 60 I, G 70, G 70 A, G 71, G 80, G 85, G 86, G 90, G 103, G 104, G 105, G 106, G 107, G 110, G 114, G 115, G 116, G 117, G 135 V, G 2.220, G 2.230, G 4.220, G 6.200, G 6.210, G 7.210, G 7.220,

REF.107B



LONG YELLOW MOULD. ARC TIE-ROD 1330MM D25

Comp. 265617

G 120, G 121, G 122, G 125, G 130, G 132, G 132 BC, G 151, G 152, G 152 BC, G 152 I, G 160, G 170, G 7.240, G 8.260, G 8.270,

REF.107C\*



LONG YELLOW MOULD. ARC TIE-ROD 1.330 mm. D25 "ORIGINAL"

Comp. 265617

G 120, G 121, G 122, G 125, G 130, G 132, G 132 BC, G 151, G 152, G 152 BC, G 152 I, G 160, G 170, G 7.240, G 8.260, G 8.270,

REF.107D



LONG YELLOW MOULD. ARC TIE-ROD 1330MM D25

Comp. 265617

G 120, G 121, G 122, G 125, G 130, G 132, G 132 BC, G 151, G 152, G 152 BC, G 152 I, G 160, G 170, G 7.240, G 8.260, G 8.270,

REF.108B



SHORT YELLOW MOULD. ARC TIE-ROD D25

Comp. 265682

G 50, G 50 A, G 55 H, G 55 I, G 55 VH, G 56 I, G.Prima, G1.190, G1.200,

REF.108E



YELLOW FORMED ARC TIE-ROD D25

Comp. 265020

G 50, G 50 A, G 55 H, G 55 I, G 55 VH, G 56 I, G.Prima, G1.190, G1.200,

REF.108F



SHORT YELLOW MOULD. ARC TIE-ROD D25

Comp. 265682

G 50, G 50 A, G 55 H, G 55 I, G 55 VH, G 56 I, G.Prima, G1.190, G1.200,

REF.113B



ROUND SHAKING ROD LENGTH D28 (nylon PIPE) YELLOW

Comp. 265510

G 103, G 104, G 105, G 106, G 107, G 108, G 10X, G 114, G 115, G 117, G 120 50, G 120SW, G 121, G 122, G 125, G 130, G 132, G 133V, G 135 V, G 13X, G 140SW, G 152, G 167, G 170, G 175V, G 6.200, G 6.210, G 60, G 7.220, G 7.240, G 70, G 71, G 8.260, G 8.270, G 84, G 86, G 9.320, G 90

REF.113C



ROUND SHAKING ROD LENGTH D28 (IRON PIPE)

Comp. 265510

G 103, G 104, G 105, G 106, G 107, G 108, G 10X, G 114, G 115, G 117, G 120 50, G 120SW, G 121, G 122, G 125, G 130, G 132, G 133V, G 135 V, G 13X, G 140SW, G 152, G 167, G 170, G 175V, G 6.200, G 6.210, G 60, G 7.220, G 7.240, G 70, G 71, G 8.260, G 8.270, G 84, G 86, G 9.320, G 90

REF.113D



MOULDED YELLOW ARC TIE-ROD D28 1330MM

Comp. 265510

G 65, G 66, G 120 SW, G 140 SW, G 167, G 240, G 9.320, G 9.330, G 9.330 Olive, G 10.330,

REF.118A



ROD HODER HALF CLAMP D35

Comp. 175011, 175012

G MM, G 60, G 60 I, G 70, G 70 A, G 71, G 80, G 85, G 86, G 90, G 103, G 104, G 105, G 106, G 107, G 110, G 114, G 115, G 116, G 117, G 135 V, G 2.220, G 2.230, G 4.220, G 6.200, G 6.210, G 7.210, G 7.220, G 120, G 121, G 122, G 125, G 130, G 132, G 132 BC, G 151, G 152, G 152 BC, G 152 I, G 160, G 170, G 7.240, G 8.260, G 8.270, G 50, G 50 A, G 55 H, G 55 I, G 55 VH, G 56 I, G.Prima, G1.190, G1.200,

REF.118B



ROD HODER HALF CLAMP D40

Comp. 175017

G 65, G 66, G 120 SW, G 140 SW, G 167, G 240, G 9.320, G 9.330, G 9.330 Olive, G 10.330,

REF.119A



ROD HOLDER SUPPORT D25 R.H.

Comp. 120462

G MM, G 60, G 60 I, G 70, G 70 A, G 71, G 80, G 85, G 86, G 90, G 103, G 104, G 105, G 106, G 107, G 110, G 114, G 115, G 116, G 117, G 135 V, G 2.220, G 2.230, G 4.220, G 6.200, G 6.210, G 7.210, G 7.220, G 120, G 121, G 122, G 125, G 130, G 132, G 132 BC, G 151, G 152, G 152 BC, G 152 I, G 160, G 170, G 7.240, G 8.260, G 8.270, G 50, G 50 A, G 55 H, G 55 I, G 55 VH, G 56 I, G.Prima, G1.190, G1.200,

REF.120A



ROD HOLDER SUPPORT D25 L.H.

Comp. 120463

G MM, G 60, G 60 I, G 70, G 70 A, G 71, G 80, G 85, G 86, G 90, G 103, G 104, G 105, G 106, G 107, G 110, G 114, G 115, G 116, G 117, G 135 V, G 2.220, G 2.230, G 4.220, G 6.200, G 6.210, G 7.210, G 7.220, G 120, G 121, G 122, G 125, G 130, G 132, G 132 BC, G 151, G 152, G 152 BC, G 152 I, G 160, G 170, G 7.240, G 8.260, G 8.270, G 50, G 50 A, G 55 H, G 55 I, G 55 VH, G 56 I, G.Prima, G1.190, G1.200,

REF.123A



ROD HOLDER SUPPORT D28 R.H.

Comp. 121461

G 65, G 66, G 120 SW, G 140 SW, G 167, G 240, G 9.320, G 9.330, G 9.330 Olive, G 10.330,

REF.124A



ROD HOLDER SUPPORT D28 L.H.

Comp. 121462

G 65, G 66, G 120 SW, G 140 SW, G 167, G 240, G 9.320, G 9.330, G 9.330 Olive, G 10.330,

REF.232A



FIBER BAR WITH INOX TUBE. BENT, Olive Grove (length 77 cm)

Comp. -

REF.233A



FIBER BAR WITH TUBE INOX.WITHOUT BEND, Olive Grove (length 90 cm)

Comp. 84343361



REF.101D



CATCHER TRAY R.H.

Comp. 155083

G MM, G 60, G 69 I, G 70, G 70 A, G 71, G 80, G 85, G 86, G 90, G 103, G 104, G 105, G 106, G 107, G 110, G 114, G 115, G 116, G 117, G 135 V, G 220, G 230, G 420, G 620, G 621, G 622, G 623, G 624, G 120, G 121, G 122, G 125, G 130, G 132, G 132 BC, G 151, G 152, G 152 BC, G 152 I, G 160, G 170, G 7240, G 8260, G 8270, G 50, G 50 A, G 55 H, G 55 I, G 55 VH, G 56 I, G Prima, G1.190, G1.200.

REF.102D



CATCHER TRAY L.H.

Comp. 155084

G MM, G 60, G 60 I, G 70, G 70 A, G 71, G 80, G 85, G 86, G 90, G 103, G 104, G 105, G 106, G 107, G 110, G 114, G 115, G 116, G 117, G 135 V, G 220, G 230, G 420, G 620, G 621, G 622, G 623, G 624, G 120, G 121, G 122, G 125, G 130, G 132, G 132 BC, G 151, G 152, G 152 BC, G 152 I, G 160, G 170, G 7240, G 8260, G 8270, G 50, G 50 A, G 55 H, G 55 I, G 55 VH, G 56 I, G Prima, G1.190, G1.200.

REF.103A



CATCHER TRAY STIFFENER 15° - THICKNESS 10

Comp. 155018

G MM, G 60, G 60 I, G 70, G 70 A, G 71, G 80, G 85, G 86, G 90, G 103, G 104, G 105, G 106, G 107, G 110, G 114, G 115, G 116, G 117, G 135 V, G 220, G 230, G 420, G 620, G 621, G 622, G 623, G 624, G 120, G 121, G 122, G 125, G 130, G 132, G 132 BC, G 151, G 152, G 152 BC, G 152 I, G 160, G 170, G 7240, G 8260, G 8270, G 50, G 50 A, G 55 H, G 55 I, G 55 VH, G 56 I, G Prima, G1.190, G1.200.

REF.104A



OLIVES LOWER SHAKER 935mm Ø28

Comp. 265574

REF.111B



KW CATCHER TRAY L.H.

Comp. 155128

G 65, G 66, G 120 SW, G 140 SW, G 167, G 240, G 9.320, G 9.330, G 9.330 Olive, G10.330,

REF.112B



KW CATCHER TRAY R.H.

Comp. 155127

G 65, G 66, G 120 SW, G 140 SW, G 167, G 240, G 9.320, G 9.330, G 9.330 Olive, G10.330,

REF.121A



SCREW FIXING KW CATCHER M8X25 MM

Comp. 60031

G 65, G 66, G 120 SW, G 140 SW, G 167, G 240, G 9.320, G 9.330, G 9.330 Olive, G10.330,

REF.127A\*



CATCHER TRAY RUBBER JOINT 16X32X76 mm

Comp. 385615

G 65, G 66, G 120 SW, G 140 SW, G 167, G 240, G 9.320, G 9.330, G 9.330 Olive, G10.330,

REF.128A



FLEXIBLE CATCHER TRAY SUP. RH

Comp. 203073

G 65, G 66, G 120 SW, G 140 SW, G 167, G 240, G 9.320, G 9.330, G 9.330 Olive, G10.330,

REF.128B



FLEXIBLE CATCHER TRAY SUP. LH

Comp. 203074

G 65, G 66, G 120 SW, G 140 SW, G 167, G 240, G 9.320, G 9.330, G 9.330 Olive, G10.330,

REF.128C



SCREW M16 X110 ZN 8,8 narrow head

Comp. 65069

G 65, G 66, G 120 SW, G 140 SW, G 167, G 240, G 9.320, G 9.330, G 9.330 Olive, G10.330,

REF.128D



WHASERS M16 ZN

Comp. 388025

G 65, G 66, G 120 SW, G 140 SW, G 167, G 240, G 9.320, G 9.330, G 9.330 Olive, G10.330,

REF.155A



CATCHER TRAY TIGHTENING PLATE

Comp. 345533

G MM, G 60, G 60 I, G 70, G 70 A, G 71, G 80, G 85, G 86, G 90, G 103, G 104, G 105, G 106, G 107, G 110, G 114, G 115, G 116, G 117, G 135 V, G 220, G 230, G 420, G 620, G 621, G 622, G 623, G 624, G 120, G 121, G 122, G 125, G 130, G 132, G 132 BC, G 151, G 152, G 152 BC, G 152 I, G 160, G 170, G 7240, G 8260, G 8270, G 50, G 50 A, G 55 H, G 55 I, G 55 VH, G 56 I, G Prima, G1.190, G1.200.

REF.172F



NUTS WITH AUTO BRAKE M16 ZN

Comp. 65016

G 65, G 66, G 120 SW, G 140 SW, G 167, G 240, G 9.320, G 9.330, G 9.330 Olive, G10.330,

REF.197A



SCREW AND NUT M8 X40 (ROD HOLDER-SHAKER)

Comp. 060023, 060003

G MM, G 60, G 60 I, G 70, G 70 A, G 71, G 80, G 85, G 86, G 90, G 103, G 104, G 105, G 106, G 107, G 110, G 114, G 115, G 116, G 117, G 135 V, G 220, G 230, G 420, G 620, G 621, G 622, G 623, G 624, G 120, G 121, G 122, G 125, G 130, G 132, G 132 BC, G 151, G 152, G 152 BC, G 152 I, G 160, G 170, G 7240, G 8260, G 8270, G 50, G 50 A, G 55 H, G 55 I, G 55 VH, G 56 I, G Prima, G1.190, G1.200.

REF.197B



KIT 2 SCREWS M10X30, 2 NUTS AND 2 WASHERS (rod holder to column)

Comp. 065393, 065078,

G MM, G 60, G 60 I, G 70, G 70 A, G 71, G 80, G 85, G 86, G 90, G 103, G 104, G 105, G 106, G 107, G 110, G 114, G 115, G 116, G 117, G 135 V, G 220, G 230, G 420, G 620, G 621, G 622, G 623, G 624, G 120, G 121, G 122, G 125, G 130, G 132, G 132 BC, G 151, G 152, G 152 BC, G 152 I, G 160, G 170, G 7240, G 8260, G 8270, G 50, G 50 A, G 55 H, G 55 I, G 55 VH, G 56 I, G Prima, G1.190, G1.200.

REF.197C



KIT 2 SCREWS 8,8 M10x65, 2 SPECIAL NUTS, 2 WASHERS (ROD HOLDER D35 TO COLUMN)

Comp. -

G MM, G 60, G 60 I, G 70, G 70 A, G 71, G 80, G 85, G 86, G 90, G 103, G 104, G 105, G 106, G 107, G 110, G 114, G 115, G 116, G 117, G 135 V, G 220, G 230, G 420, G 620, G 621, G 622, G 623, G 624, G 120, G 121, G 122, G 125, G 130, G 132, G 132 BC, G 151, G 152, G 152 BC, G 152 I, G 160, G 170, G 7240, G 8260, G 8270, G 50, G 50 A, G 55 H, G 55 I, G 55 VH, G 56 I, G Prima, G1.190, G1.200.

REF.197D



KIT: 2 SCREWS 8,8 M12x90, 2 SPECIAL NUTS, 2 WASHERS (ROD HOLDER D40 TO COLUMN)

Comp. -

G 65, G 66, G 120 SW, G 140 SW, G 167, G 240, G 9.320, G 9.330, G 9.330 Olive, G10.330,

REF.197E



KIT 2 SCREWS M10x45, 2 NUTS ET 2 WASHERS (rod holder to column)

Comp. 065393, 065078,

G 65, G 66, G 120 SW, G 140 SW, G 167, G 240, G 9.320, G 9.330, G 9.330 Olive, G10.330,

REF.197F



KIT 2 SCREWS M8x55 et M8x45, 2 NUTS AND 2 WASHERS

Comp. 065300 (8x45), 066022

G MM, G 60, G 60 I, G 70, G 70 A, G 71, G 80, G 85, G 86, G 90, G 103, G 104, G 105, G 106, G 107, G 110, G 114, G 115, G 116, G 117, G 135 V, G 220, G 230, G 420, G 620, G 621, G 622, G 623, G 624, G 120, G 121, G 122, G 125, G 130, G 132, G 132 BC, G 151, G 152, G 152 BC, G 152 I, G 160, G 170, G 7240, G 8260, G 8270, G 50, G 50 A, G 55 H, G 55 I, G 55 VH, G 56 I, G Prima, G1.190, G1.200.

REF.110A



**BELT 11 METERS without AGRAFE INOX(320mm) WITHOUT SHIPMENT**

**Comp. -**

MINI 3, GMM, G 55 M, G 55 H, G 60, G 60 KW, G 70, G 90, G 104, G 106, G 107, G 108, G 110, G 114, G 115, G 117, G 120, G 122, G 125, G 132 28, G 132 BC, G 152 28, G Prima, G1.180, G1.190, G1.200, G2.220, G2.230, G3.220, G3.230, G3.250, G6.200, G6.210, G7.210, G7.220, G7.240, G8.260

REF.110B



**BELT BY THE METER (320mm) WITHOUT SHIPMENT**

**Comp. -**

GM 420, PMS, 301 BC, MINI 3, GMM, G 55 M, G 55 H, G 60, G 60 KW, G 65, G 66, G 70, G 90, G 104, G 106, G 107, G 108, G 110, G 114, G 115, G 117, G 120, G 120 K, G 120 KW, G 120 SW, G 122, G 125, G 130, G 132 28, G 132 BC, G 133, G 134, G 140 SW, G 152 28, G 152 BC, G 152 I, G 160, G 167, G 170, G 240, G Prima, G1.180, G1.190, G1.200, G2.220, G2.230, G3.220, G3.230, G3.250, G6.200, G6.210, G7.210, G7.220, G7.240, G8.260

REF.110C\*



**BELT 11 METERS without AGRAFE INOX(240mm) WITHOUT SHIPMENT**

**Comp. -**

PMME, PMM 85, PMM 86, G 50 E, G 50 A, G 50 H, G 50 M, G 70 AL, G 70 E, G 71, G 71 E, G 80, G 85, G 86, G 103, G 105, G 135, G4.220

REF.110D



**BELT BY THE METER (240mm) WITHOUT SHIPMENT**

**Comp. -**

PMME, PMM 85, PMM 86, G 50 E, G 50 A, G 50 H, G 50 M, G 70 AL, G 70 E, G 71, G 71 E, G 80, G 85, G 86, G 103, G 105, G 135, G4.220

REF.110E



**BELT BY THE METER (320mm) (WITH 2 LATERALS PROFILS) WITHOUT SHIPMENT**

**Comp. -**

G 66, G 67, G 120 SW, G 140 SW, G 170,

REF.121B



**SCREW + NUT + WASHER M8X30**

**Comp. -**

PMME, PMM, GMM, G 50, G 50 A, G 50 E, G 55 H, G 55 I, G 55 VH, G 56 I, G 60, G 60 I, G 60 KW, G 60 WH, G 65, G 66, G 70, G 70 A, G 71, G 80, G 84, G 85, G 86, G 90, G 103, G 104, G 105, G 106, G 107, G 108, G 110, G 114, G 115, G 116, G 117, G 120, G 120 SW, G 121, G 122, G 125, G 130, G 132, G 132 BC, G 133V, G 140 SW, G 151, G 152, G 152 BC, G 152 I, G 160, G 167, G 170, G 175 V, G 240, G Prima, G1.180, G1.200, G2.220, G2.230, G3.220, G3.230, G3.250, G4.200, G4.210, G4.220, G5.310, G5.320, G6.200, G6.210, G7.200, G7.210, G7.220, G7.240, G8.260, G8.270, G9.320, G9.330, G10.330, G10.380, G17.4, G18, G18, GM7.4

REF.145A



**FASTENER PIN - STAINLESS D5 L240**

**Comp. 24019**

PMME, PMM 85, PMM 86, G 50 E, G 50 A, G 50 H, G 50 M, G 70 AL, G 70 E, G 71, G 71 E, G 80, G 85, G 86, G 103, G 105, G 135, G4.220

REF.145B



**FASTENER PIN - STAINLESS D5 L320**

**Comp. 24004**

GM 420, PMS, 301 BC, MINI 3, GMM, G 55 M, G 55 H, G 60, G 60 KW, G 65, G 66, G 70, G 90, G 104, G 106, G 107, G 108, G 110, G 114, G 115, G 117, G 120, G 120 K, G 120 KW, G 120 SW, G 122, G 125, G 130, G 132 28, G 132 BC, G 133, G 134, G 140 SW, G 152 28, G 152 BC, G 152 I, G 160, G 167, G 170, G 240, G Prima, G1.180, G1.190, G1.200, G2.220, G2.230, G3.220, G3.230, G3.250, G6.200, G6.210, G7.210, G7.220, G7.240, G8.260

REF.151A



**CONVEYOR BELT TIGHTNESS TOOL**

**Comp. 203014**

PMME, PMM, GMM, G 50, G 50 A, G 50 E, G 55 H, G 55 I, G 55 VH, G 56 I, G 60, G 60 I, G 60 KW, G 60 WH, G 65, G 66, G 70, G 70 A, G 71, G 80, G 84, G 85, G 86, G 90, G 103, G 104, G 105, G 106, G 107, G 108, G 110, G 114, G 115, G 116, G 117, G 120, G 120 SW, G 121, G 122, G 125, G 130, G 132, G 132 BC, G 133V, G 140 SW, G 151, G 152, G 152 BC, G 152 I, G 160, G 167, G 170, G 175 V, G 240, G Prima, G1.180, G1.200, G2.220, G2.230, G3.220, G3.230, G3.250, G4.200, G4.210, G4.220, G5.310, G5.320, G6.200, G6.210, G7.200, G7.210, G7.220, G7.240, G8.260, G8.270, G9.320, G9.330, G10.330, G10.380, G17.4, G18, G18, GM7.4

REF.154C



**UPPER CLEANER CONVEYOR BELT 910x360mm+fastener**

**Comp. 285193**

G 103, G 104, G 105, G 106, G 107, G 108, G 10X, G 114, G 115, G 117, G 120 SW, G 120SW, G 121, G 122, G 125, G 130, G 132, G 133V, G 135 V, G 13X, G 140SW, G 152, G 167, G 170, G 175V, G 6.200, G 6.210, G 60, G 7.220, G 7.240, G 70, G 71, G 8.260, G 8.270, G 84, G 85, G 9.320, G 90

REF.154G



**BELT PER M2, 2 PLYES, SMOOTH/SMOOTH. THICKNESS 3.2 MM. (1m x width 450mm)**

**Comp. -**

PMME, PMM, GMM, G 50, G 50 A, G 50 E, G 55 H, G 55 I, G 55 VH, G 56 I, G 60, G 60 I, G 60 KW, G 60 WH, G 65, G 66, G 70, G 70 A, G 71, G 80, G 84, G 85, G 86, G 90, G 103, G 104, G 105, G 106, G 107, G 108, G 110, G 114, G 115, G 116, G 117, G 120, G 120 SW, G 121, G 122, G 125, G 130, G 132, G 132 BC, G 133V, G 140 SW, G 151, G 152, G 152 BC, G 152 I, G 160, G 167, G 170, G 175 V, G 240, G Prima, G1.180, G1.200, G2.220, G2.230, G3.220, G3.230, G3.250, G4.200, G4.210, G4.220, G5.310, G5.320, G6.200, G6.210, G7.200, G7.210, G7.220, G7.240, G8.260, G8.270, G9.320, G9.330, G10.330, G10.380, G17.4, G18, G18, GM7.4

REF.154H



**BELT PER M2, 3 PLYES, SMOOTH/SMOOTH. THICKNESS 4,3 MM. (1m x width 450mm)**

**Comp. -**

PMME, PMM, GMM, G 50, G 50 A, G 50 E, G 55 H, G 55 I, G 55 VH, G 56 I, G 60, G 60 I, G 60 KW, G 60 WH, G 65, G 66, G 70, G 70 A, G 71, G 80, G 84, G 85, G 86, G 90, G 103, G 104, G 105, G 106, G 107, G 108, G 110, G 114, G 115, G 116, G 117, G 120, G 120 SW, G 121, G 122, G 125, G 130, G 132, G 132 BC, G 133V, G 140 SW, G 151, G 152, G 152 BC, G 152 I, G 160, G 167, G 170, G 175 V, G 240, G Prima, G1.180, G1.200, G2.220, G2.230, G3.220, G3.230, G3.250, G4.200, G4.210, G4.220, G5.310, G5.320, G6.200, G6.210, G7.200, G7.210, G7.220, G7.240, G8.260, G8.270, G9.320, G9.330, G10.330, G10.380, G17.4, G18, G18, GM7.4

REF.154J



**ROLLO CANVAS 1m x 1m thickness 0,5mm per m2**

**Comp. -**

PMME, PMM, GMM, G 50, G 50 A, G 50 E, G 55 H, G 55 I, G 55 VH, G 56 I, G 60, G 60 I, G 60 KW, G 60 WH, G 65, G 66, G 70, G 70 A, G 71, G 80, G 84, G 85, G 86, G 90, G 103, G 104, G 105, G 106, G 107, G 108, G 110, G 114, G 115, G 116, G 117, G 120, G 120 SW, G 121, G 122, G 125, G 130, G 132, G 132 BC, G 133V, G 140 SW, G 151, G 152, G 152 BC, G 152 I, G 160, G 167, G 170, G 175 V, G 240, G Prima, G1.180, G1.200, G2.220, G2.230, G3.220, G3.230, G3.250, G4.200, G4.210, G4.220, G5.310, G5.320, G6.200, G6.210, G7.200, G7.210, G7.220, G7.240, G8.260, G8.270, G9.320, G9.330, G10.330, G10.380, G17.4, G18, G18, GM7.4

REF.180A



**BUCKET WIDTH 240 MM BELT OLIVE G140,G120,G9**

**Comp. 265287**

G 65, G 66, G 67, G 120 SW, G 133, G 134, G 140 SW, G 170, G 240, G.8270, G9.320, G9.330 V

REF.180B



**BUCKET OF 240 MM BELT OF 320 MM**

**Comp. 265279**

GM420, PMS, 301 BC, MINI 3, GMM, G 55 M, G 55 H, G 60, G 60 KW, G 70, G 90, G 104, G 106, G 107, G 108, G 110, G 114, G 115, G 117, G 120, G 120 K, G 120 KW, G 122, G 125, G 130, G 132 28, G 132 BC, G 152 28, G 152 BC, G 152 I, G 160, G 167, G 170, G Prima, G1.180, G1.190, G1.200, G2.220, G2.230, G3.220, G3.230, G3.250, G4.200, G4.210, G4.220, G5.310, G5.320, G6.200, G6.210, G7.200, G7.210, G7.220, G7.240, G8.260, G8.270, G9.320, G9.330, G10.330, G10.380, G17.4, G18, G18, GM7.4

REF.180D



**BUCKET OF 160 MM BELT OF 240 MM**

**Comp. 265278**

PMME, PMM85, PMM86, G 50 E, G 50 A, G 50 H, G 50 M, G 70 AL, G 70 E, G 71, G 71 E, G 80, G 85, G 86, G 103, G 105, G 135, G4.220

REF.185A



**BUCKET FIXING PLATE**

**Comp. 345594**

GM420, PMS, 301 BC, MINI 3, GMM, G 55 M, G 55 H, G 60, G 60 KW, G 70, G 90, G 104, G 106, G 107, G 108, G 110, G 114, G 115, G 117, G 120, G 120 K, G 120 KW, G 122, G 125, G 130, G 132 28, G 132 BC, G 152 28, G 152 BC, G 152 I, G 160, G 167, G 170, G Prima, G1.180, G1.190, G1.200, G2.220, G2.230, G3.220, G3.230, G3.250, G6.200, G6.210, G7.210, G7.220, G7.240, G8.260, G8.270

REF.185B



**BUCKET FIXING PLATE**

**Comp. -**

G 65, G 66, G 67, G 120 SW, G 133, G 134, G 140 SW, G 170, G 240, G9.330 V, PMME, PMM85, PMM86, G 50 E, G 50 A, G 50 H, G 50 M, G 70 AL, G 70 E, G 71, G 71 E, G 80, G 85, G 86, G 103, G 105, G 135, G4.220

REF.339A



**STAPLE RS125 Galvanised steel (1,2m)**

**Comp. -**

PMME, PMM, GMM, G 50, G 50 A, G 50 E, G 55 H, G 55 I, G 55 VH, G 56 I, G 60, G 60 I, G 60 KW, G 60 WH, G 65, G 66, G 70, G 70 A, G 71, G 80, G 84, G 85, G 86, G 90, G 103, G 104, G 105, G 106, G 107, G 108, G 110, G 114, G 115, G 116, G 117, G 120, G 120 SW, G 121, G 122, G 125, G 130, G 132, G 132 BC, G 133V, G 140 SW, G 151, G 152, G 152 BC, G 152 I, G 160, G 167, G 170, G 175 V, G 240, G Prima, G1.180, G1.200, G2.220, G2.230, G3.220, G3.230, G3.250, G4.200, G4.210, G4.220, G5.310, G5.320, G6.200, G6.210, G7.200, G7.210, G7.220, G7.240, G8.260, G8.270, G9.320, G9.330, G10.330, G10.380, G17.4, G18, G18, GM7.4

REF.339C



**STAPLING MACHINE STAPLES MR-FIX 100**

**Comp. -**

PMME, PMM, GMM, G 50, G 50 A, G 50 E, G 55 H, G 55 I, G 55 VH, G 56 I, G 60, G 60 I, G 60 KW, G 60 WH, G 65, G 66, G 70, G 70 A, G 71, G 80, G 84, G 85, G 86, G 90, G 103, G 104, G 105, G 106, G 107, G 108, G 110, G 114, G 115, G 116, G 117, G 120, G 120 SW, G 121, G 122, G 125, G 130, G 132, G 132 BC, G 133V, G 140 SW, G 151, G 152, G 152 BC, G 152 I, G 160, G 167, G 170, G 175 V, G 240, G Prima, G1.180, G1.200, G2.220, G2.230, G3.220, G3.230, G3.250, G4.200, G4.210, G4.220, G5.310, G5.320, G6.200, G6.210, G7.200, G7.210, G7.220, G7.240, G8.260, G8.270, G9.320, G9.330, G10.330, G10.380, G17.4, G18, G18, GM7.4





REF.117D



PULLEY 145 MM, Ø 30mm

Comp. 120663

G 103, G 104, G 105, G 106, G 107, G 108, G 10X, G 114, G 115, G 117, G 120 SD, G 120SW, G 121, G 122, G 125, G 130, G 132, G 133V, G 135 V, G 13X, G 140SW, G 152, G 167, G 170, G 175V, G 6.200, G 6.210, G 60, G 7.220, G 7.240, G 70, G 71, G 8.260, G 8.270, G 84, G 86, G 9.320, G 90

REF.117E



TOP PULLEY TAPE

Comp. 386508

G 103, G 104, G 105, G 106, G 107, G 108, G 10X, G 114, G 115, G 117, G 120 SD, G 120SW, G 121, G 122, G 125, G 130, G 132, G 133V, G 135 V, G 13X, G 140SW, G 152, G 167, G 170, G 175V, G 6.200, G 6.210, G 60, G 7.220, G 7.240, G 70, G 71, G 8.260, G 8.270, G 84, G 86, G 9.320, G 90

REF.117F



PULLEY 145 MM with hollow sensor, Ø 20mm

Comp. 124670

REF.117G



PULLEY 185 MM, Ø 25mm

Comp. 502818

REF.117H



PULLEY 185 MM, Ø 30mm

Comp. 120662

G 103, G 104, G 105, G 106, G 107, G 108, G 10X, G 114, G 115, G 117, G 120 SD, G 120SW, G 121, G 122, G 125, G 130, G 132, G 133V, G 135 V, G 13X, G 140SW, G 152, G 167, G 170, G 175V, G 6.200, G 6.210, G 60, G 7.220, G 7.240, G 70, G 71, G 8.260, G 8.270, G 84, G 86, G 9.320, G 90

REF.117J



PULLEY 145 MM, Ø 25 mm G8

Comp. 385289

REF.117K



PULLEY 145 MM, Ø 30 mm G9

Comp. 385414

REF.126A



PULLEY MGT 300 + TAPER LOCK 25

Comp. 280017

G 103, G 104, G 105, G 106, G 107, G 108, G 10X, G 114, G 115, G 117, G 120 SD, G 120SW, G 121, G 122, G 125, G 130, G 132, G 133V, G 135 V, G 13X, G 140SW, G 152, G 167, G 170, G 175V, G 6.200, G 6.210, G 60, G 7.220, G 7.240, G 70, G 71, G 8.260, G 8.270, G 84, G 86, G 9.320, G 90

REF.126B



PULLEY MGT 400 +TAPER LOCK 30

Comp. 280018

G 103, G 104, G 105, G 106, G 107, G 108, G 10X, G 114, G 115, G 117, G 120 SD, G 120SW, G 121, G 122, G 125, G 130, G 132, G 133V, G 135 V, G 13X, G 140SW, G 152, G 167, G 170, G 175V, G 6.200, G 6.210, G 60, G 7.220, G 7.240, G 70, G 71, G 8.260, G 8.270, G 84, G 86, G 9.320, G 90

REF.134A\*



COUPLING (ENGINE SIDE)

Comp. 388602

REF.135A



COUPLING RING

Comp. 05043

REF.135B



RED COUPLING RING. NEW VERSION

Comp. 05239

REF.136A\*



COUPLING (ROTOR SIDE)

Comp. 388603

REF.147A



RUBBER JOINT 20X75X50

Comp. 386655

REF.147B



RUBBER JOINT 14X30X42

Comp. 25012

REF.147C



RUBBER JOINT 24X48X44

Comp. 25015

REF.147E



RUBBER JOINT 28X48X66

Comp. 25014

REF.147F



RUBBER JOINT ELLIPTICAL 16X65X60

Comp. 25124

REF.147G



CAP T 24X48X44

Comp. 385087

REF.147H



RUBBER JOINT PMM

Comp. 385199, 561269

PMM



REF.148A



FLEXIBLE MOUNTING 40X28XM10

Comp. 25005

REF.152C



BEARING HOUSING ST 20

Comp. 240023, 385098

G 103, G 104, G 105, G 106, G 107, G 108, G 10X, G 114, G 115, G 117, G 120 SD, G 120SW, G 121, G 122, G 125, G 130, G 132, G 133V, G 135 V, G 13X, G 140SW, G 152, G 167, G 170, G 175V, G 6.200, G 6.210, G 60, G 7.220, G 7.240, G 70, G 71, G 8.260, G 8.270, G 84, G 86, G 9.320, G 90

REF.152B



BEARING HOUSING ST 25

Comp. 385347

G 6.210

REF.152M



BEARING HOUSING ST 30

Comp. 240040

REF.152D



BEARING HOUSING NP25

Comp. 240008

G 103, G 104, G 105, G 106, G 107, G 108, G 10X, G 114, G 115, G 117, G 120 SD, G 120SW, G 121, G 122, G 125, G 130, G 132, G 133V, G 135 V, G 13X, G 140SW, G 152, G 167, G 170, G 175V, G 6.200, G 6.210, G 60, G 7.220, G 7.240, G 70, G 71, G 8.260, G 8.270, G 84, G 86, G 9.320, G 90

REF.152J



BEARING HOUSING NP30

Comp. 240009

REF.152H



BEARING HOUSING NP35

Comp. 240010

G 103, G 104, G 105, G 106, G 107, G 108, G 10X, G 114, G 115, G 117, G 120 SD, G 120SW, G 121, G 122, G 125, G 130, G 132, G 133V, G 135 V, G 13X, G 140SW, G 152, G 167, G 170, G 175V, G 6.200, G 6.210, G 60, G 7.220, G 7.240, G 70, G 71, G 8.260, G 8.270, G 84, G 86, G 9.320, G 90

REF.152F



BEARING HOUSING NP45

Comp. 240038

G 103, G 104, G 105, G 106, G 107, G 108, G 10X, G 114, G 115, G 117, G 120 SD, G 120SW, G 121, G 122, G 125, G 130, G 132, G 133V, G 135 V, G 13X, G 140SW, G 152, G 167, G 170, G 175V, G 6.200, G 6.210, G 60, G 7.220, G 7.240, G 70, G 71, G 8.260, G 8.270, G 84, G 86, G 9.320, G 90

REF.152G



BEARING HOUSING SFT 20

Comp. 240018

G 103, G 104, G 105, G 106, G 107, G 108, G 10X, G 114, G 115, G 117, G 120 SD, G 120SW, G 121, G 122, G 125, G 130, G 132, G 133V, G 135 V, G 13X, G 140SW, G 152, G 167, G 170, G 175V, G 6.200, G 6.210, G 60, G 7.220, G 7.240, G 70, G 71, G 8.260, G 8.270, G 84, G 86, G 9.320, G 90

REF.152A



BEARING HOUSING SFT 25

Comp. 240019

G 6.210, G 7.240, G 8.260

REF.152K



BEARING HOUSING SFT 30

Comp. 240020

G 7.240

REF.152L



BEARING HOUSING SFT 35

Comp. -

REF.152N



BEARING HOUSING SF 25

Comp. 240014

REF.152P



BEARING HOUSING SF 30

Comp. 240015

G 8.260

REF.152Q



BEARING HOUSING SF 35

Comp. 240016

G 86

REF.152E



BEARING HOUSING SF 45

Comp. 240017

G 103, G 104, G 105, G 106, G 107, G 108, G 10X, G 114, G 115, G 117, G 120 SD, G 120SW, G 121, G 122, G 125, G 130, G 132, G 133V, G 135 V, G 13X, G 140SW, G 152, G 167, G 170, G 175V, G 6.200, G 6.210, G 60, G 7.220, G 7.240, G 70, G 71, G 8.260, G 8.270, G 84, G 86, G 9.320, G 90

REF.157A\*



ADJUSTING NUT L=120MM

Comp. 385019

G 60

REF.157B\*



ADJUSTING NUT L=140MM

Comp. 385673

G 152

REF.157C\*



ADJUSTING NUT L=200MM

Comp. 386170

REF.160B



JOINER TIE-ROD NUT M14

Comp. 385189

G 103, G 104, G 105, G 106, G 107, G 108, G 10X, G 114, G 115, G 117, G 120 SD, G 120SW, G 121, G 122, G 125, G 130, G 132, G 133V, G 135 V, G 13X, G 140SW, G 152, G 167, G 170, G 175V, G 6.200, G 6.210, G 60, G 7.220, G 7.240, G 70, G 71, G 8.260, G 8.270, G 84, G 86, G 9.320, G 90

**REF.160F**



**LOCK NUT M14 - ZINC**

**Comp. 65015**

**REF.161B**



**CONNECTING ROD BOLT M14X110**

**Comp. 386478**

**REF.162A\***



**DOUBLE EXCENTRIC AXLE G70,G1**

**Comp. 121520**

G 70, G1

**REF.162B**



**DOUBLE EXCENTRIC AXLE**

**Comp. 385248**

G 60, G 115, G 122, G 152, G6.210

**REF.168A**



**PULLEY BEARING HOUSING**

**Comp. 120402**

G 103, G 104, G 105, G 106, G 107, G 108, G 10X, G 114, G 115, G 117, G 120 SD, G 120SW, G 121, G 122, G 125, G 130, G 132, G 133V, G 135 V, G 13X, G 140SW, G 152, G 167, G 170, G 175V, G 6.200, G 6.210, G 60, G 7.220, G 7.240, G 70, G 71, G 8.260, G 8.270, G 84, G 86, G 9.320, G 90

**REF.168B**



**RIGHT FRONT PULLEY BEARING HOUSING**

**Comp. 120459**

G 103, G 104, G 105, G 106, G 107, G 108, G 10X, G 114, G 115, G 117, G 120 SD, G 120SW, G 121, G 122, G 125, G 130, G 132, G 133V, G 135 V, G 13X, G 140SW, G 152, G 167, G 170, G 175V, G 6.200, G 6.210, G 60, G 7.220, G 7.240, G 70, G 71, G 8.260, G 8.270, G 84, G 86, G 9.320, G 90

**REF.168C**



**LEFT FRONT PULLEY BEARING HOUSING**

**Comp. 120460**

G 103, G 104, G 105, G 106, G 107, G 108, G 10X, G 114, G 115, G 117, G 120 SD, G 120SW, G 121, G 122, G 125, G 130, G 132, G 133V, G 135 V, G 13X, G 140SW, G 152, G 167, G 170, G 175V, G 6.200, G 6.210, G 60, G 7.220, G 7.240, G 70, G 71, G 8.260, G 8.270, G 84, G 86, G 9.320, G 90

**REF.169A\***



**RIGHT PITCH ADJUSTING HOUSING**

**Comp. 120523**

G 103, G 104, G 105, G 106, G 107, G 108, G 10X, G 114, G 115, G 117, G 120 SD, G 120SW, G 121, G 122, G 125, G 130, G 132, G 133V, G 135 V, G 13X, G 140SW, G 152, G 167, G 170, G 175V, G 6.200, G 6.210, G 60, G 7.220, G 7.240, G 70, G 71, G 8.260, G 8.270, G 84, G 86, G 9.320, G 90

**REF.169B\***



**RIGHT PITCH ADJUSTING HOUSING**

**Comp. 120524**

G 103, G 104, G 105, G 106, G 107, G 108, G 10X, G 114, G 115, G 117, G 120 SD, G 120SW, G 121, G 122, G 125, G 130, G 132, G 133V, G 135 V, G 13X, G 140SW, G 152, G 167, G 170, G 175V, G 6.200, G 6.210, G 60, G 7.220, G 7.240, G 70, G 71, G 8.260, G 8.270, G 84, G 86, G 9.320, G 90

**REF.169C\***



**RIGHT PITCH ADJUSTING HOUSING**

**Comp. 122886**

G 103, G 104, G 105, G 106, G 107, G 108, G 10X, G 114, G 115, G 117, G 120 SD, G 120SW, G 121, G 122, G 125, G 130, G 132, G 133V, G 135 V, G 13X, G 140SW, G 152, G 167, G 170, G 175V, G 6.200, G 6.210, G 60, G 7.220, G 7.240, G 70, G 71, G 8.260, G 8.270, G 84, G 86, G 9.320, G 90

**REF.169D\***



**LEFT PITCH ADJUSTING HOUSING**

**Comp. 122887**

G 103, G 104, G 105, G 106, G 107, G 108, G 10X, G 114, G 115, G 117, G 120 SD, G 120SW, G 121, G 122, G 125, G 130, G 132, G 133V, G 135 V, G 13X, G 140SW, G 152, G 167, G 170, G 175V, G 6.200, G 6.210, G 60, G 7.220, G 7.240, G 70, G 71, G 8.260, G 8.270, G 84, G 86, G 9.320, G 90

**REF.169E**



**FAN GRINDER**

**Comp. 120451**

G 103, G 104, G 105, G 106, G 107, G 108, G 10X, G 114, G 115, G 117, G 120 SD, G 120SW, G 121, G 122, G 125, G 130, G 132, G 133V, G 135 V, G 13X, G 140SW, G 152, G 167, G 170, G 175V, G 6.200, G 6.210, G 60, G 7.220, G 7.240, G 70, G 71, G 8.260, G 8.270, G 84, G 86, G 9.320, G 90

**REF.171A**



**DRIVING SHAFT**

**Comp. 123437**

G 103, G 104, G 105, G 106, G 107, G 108, G 10X, G 114, G 115, G 117, G 120 SD, G 120SW, G 121, G 122, G 125, G 130, G 132, G 133V, G 135 V, G 13X, G 140SW, G 152, G 167, G 170, G 175V, G 6.200, G 6.210, G 60, G 7.220, G 7.240, G 70, G 71, G 8.260, G 8.270, G 84, G 86, G 9.320, G 90

**REF.172A**



**TIE-ROD HOLDERS PIN FOR M24X200**

**Comp. 124048**

G 103, G 104, G 105, G 106, G 107, G 108, G 10X, G 114, G 115, G 117, G 120 SD, G 120SW, G 121, G 122, G 125, G 130, G 132, G 133V, G 135 V, G 13X, G 140SW, G 152, G 167, G 170, G 175V, G 6.200, G 6.210, G 60, G 7.220, G 7.240, G 70, G 71, G 8.260, G 8.270, G 84, G 86, G 9.320, G 90

**REF.172B**



**CONNECTING ROD BOLT M20X151**

**Comp. 386118**

**REF.172C**



**TIE-ROD HOLDERS PIN D28 L168 M24X200**

**Comp. 501684**

**REF.172D**



**SCREW BEAMED M16X130**

**Comp. 385353**

G 103, G 104, G 105, G 106, G 107, G 108, G 10X, G 114, G 115, G 117, G 120 SD, G 120SW, G 121, G 122, G 125, G 130, G 132, G 133V, G 135 V, G 13X, G 140SW, G 152, G 167, G 170, G 175V, G 6.200, G 6.210, G 60, G 7.220, G 7.240, G 70, G 71, G 8.260, G 8.270, G 84, G 86, G 9.320, G 90

**REF.172E**



**NUT BEAMED SPECIAL M16**

**Comp. 385355**

G 103, G 104, G 105, G 106, G 107, G 108, G 10X, G 114, G 115, G 117, G 120 SD, G 120SW, G 121, G 122, G 125, G 130, G 132, G 133V, G 135 V, G 13X, G 140SW, G 152, G 167, G 170, G 175V, G 6.200, G 6.210, G 60, G 7.220, G 7.240, G 70, G 71, G 8.260, G 8.270, G 84, G 86, G 9.320, G 90

**REF.172F**



**NUTS WITH AUTO BRAKE M16 ZN**

**Comp. 65016**

G 65, G 66, G 120 SW, G 140 SW, G 167, G 240, G9.320, G9.330, G9.330 Olive, G10.330,

**REF.172G**



**WHASER M24 ZN**

**Comp. 65071**



REF.172H



NUT WITH BRAKE M24 ZN

Comp. 65973

REF.172J



JOINER TIE-ROD NUT M20X150

Comp. 386120

REF.172K



H NUT M20X150 - ZINC

Comp. 65786

REF.172L



SCREW BEAMED SPECIAL M24X175

Comp. 501684

REF.172M



NUT BEAMED SPECIAL M24

Comp. -

REF.172N



SCREW M24X160 ZN

Comp. -

REF.176A



INDUCTIVE SENSOR M12 CONNECTOR M12

Comp. 168115

REF.177A



LIPSEAL FOR BEARING Ø 20 MM (25x42x8)

Comp. 185025

G 103, G 104, G 105, G 106, G 107, G 108, G 10X, G 114, G 115, G 117, G 120 SD, G 120SW, G 121, G 122, G 125, G 130, G 132, G 133V, G 135 V, G 13X, G 140SW, G 152, G 167, G 170, G 175V, G 6.200, G 6.210, G 60, G 7.220, G 7.240, G 70, G 71, G 8.260, G 8.270, G 84, G 86, G 9.320, G 90

G 103, G 104, G 105, G 106, G 107, G 108, G 10X, G 114, G 115, G 117, G 120 SD, G 120SW, G 121, G 122, G 125, G 130, G 132, G 133V, G 135 V, G 13X, G 140SW, G 152, G 167, G 170, G 175V, G 6.200, G 6.210, G 60, G 7.220, G 7.240, G 70, G 71, G 8.260, G 8.270, G 84, G 86, G 9.320, G 90

REF.177B



LIPSEAL FOR BEARING Ø 25 MM(20x35x7)

Comp. 185027

REF.177C



LIPSEAL FOR BEARING Ø 30 MM (38x55x10)

Comp. 185034

REF.177D



LIPSEAL FOR BEARING (85X110X18)

Comp. 185045

REF.178A\*



HYDRAULIC MOTOR OMM 8

Comp. 210008

REF.179A



BEARING BUSH FOR HARVESTING HEAD Ø 38 MM

Comp. 265265

G 103, G 104, G 105, G 106, G 107, G 108, G 10X, G 114, G 115, G 117, G 120 SD, G 120SW, G 121, G 122, G 125, G 130, G 132, G 133V, G 135 V, G 13X, G 140SW, G 152, G 167, G 170, G 175V, G 6.200, G 6.210, G 60, G 7.220, G 7.240, G 70, G 71, G 8.260, G 8.270, G 84, G 86, G 9.320, G 90

REF.181A



COMPRESSION SPRING FOR CONVEYOR BELT PULLEYS

Comp. 325001

G 103, G 104, G 105, G 106, G 107, G 108, G 10X, G 114, G 115, G 117, G 120 SD, G 120SW, G 121, G 122, G 125, G 130, G 132, G 133V, G 135 V, G 13X, G 140SW, G 152, G 167, G 170, G 175V, G 6.200, G 6.210, G 60, G 7.220, G 7.240, G 70, G 71, G 8.260, G 8.270, G 84, G 86, G 9.320, G 90

REF.181B\*



COMPRESSION SPRING FOR CLEANER BELTS 85mm

Comp. 325003

G 103, G 104, G 105, G 106, G 107, G 108, G 10X, G 114, G 115, G 117, G 120 SD, G 120SW, G 121, G 122, G 125, G 130, G 132, G 133V, G 135 V, G 13X, G 140SW, G 152, G 167, G 170, G 175V, G 6.200, G 6.210, G 60, G 7.220, G 7.240, G 70, G 71, G 8.260, G 8.270, G 84, G 86, G 9.320, G 90

REF.183G



BALL BEARING (ONE ROW) 20X42X12

Comp. 330250,330008

REF.183H



BALL BEARING (ONE ROW) 25X52X15

Comp. 330251,330053

REF.183I



BALL BEARING (ONE ROW) 30X55X13

Comp. 330009

REF.186A



PICKING-HEAD NUT 28X150 L.H.

Comp. 385017

G 103, G 104, G 105, G 106, G 107, G 108, G 10X, G 114, G 115, G 117, G 120 SD, G 120SW, G 121, G 122, G 125, G 130, G 132, G 133V, G 135 V, G 13X, G 140SW, G 152, G 167, G 170, G 175V, G 6.200, G 6.210, G 60, G 7.220, G 7.240, G 70, G 71, G 8.260, G 8.270, G 84, G 86, G 9.320, G 90

REF.186B



PICKING-HEAD NUT 28X150 R.H.

Comp. 385018

G 103, G 104, G 105, G 106, G 107, G 108, G 10X, G 114, G 115, G 117, G 120 SD, G 120SW, G 121, G 122, G 125, G 130, G 132, G 133V, G 135 V, G 13X, G 140SW, G 152, G 167, G 170, G 175V, G 6.200, G 6.210, G 60, G 7.220, G 7.240, G 70, G 71, G 8.260, G 8.270, G 84, G 86, G 9.320, G 90

REF.187A



SHAKER SUPPORT PLATE

Comp. 385182

REF.188A



PINION 38 teeth, 12.7S(1/2), diam 25, keyway 8mm poulley G60

Comp. 385242

G 103, G 104, G 105, G 106, G 107, G 108, G 10X, G 114, G 115, G 117, G 120 50, G 120SW, G 121, G 122, G 125, G 130, G 132, G 133V, G 135 V, G 13X, G 140SW, G 152, G 167, G 170, G 175V, G 6.200, G 6.210, G 60, G 7.220, G 7.240, G 70, G 71, G 8.260, G 8.270, G 84, G 86, G 9.320, G 90

REF.188B



PINION 21 teeth, 12.7S(1/2) diam 25 poulley G60, G152, G8, belt G152

Comp. 385123

REF.188C



PINION 30 teeth, 12.7S(1/2), diam 25mm, keyway 8mm poulley G152, G8

Comp. 386550

REF.188D



PINION 17 teeth, 12.7S(1/2), diam 20mm, keyway 8mm belt G60

Comp. 385251

REF.188E



PINION 17 teeth, 12.7S(1/2) diam 25 for belt G60, G152, G8

Comp. 385078

REF.188F



PINION 25 teeth, 19.05S(3/4), diam 25 for eccentric shaft G60

Comp. 385233

REF.188G



PINION 35 teeth, 19.05S(3/4), diam 25 for eccentric shaft G60

Comp. 255009

REF.188H



PINION 19 teeth, 19.05S(3/4), diam 25 for eccentric shaft G152

Comp. 385217

G 122

REF.188I



PINION 38 teeth, 19.05S(3/4), Diám 45, keyway 14mm

Comp. 250064

G 122

REF.188J



PINION 21 teeth, 19.05S(3/4), diam 25 for eccentric shaft G8

Comp. 385370

REF.188K



PINION 30 teeth, (3/4), diam 45, keyway 8mm for eccentric shaft G8

Comp. 250034

REF.188L



PINION 25 teeth, 12.7S(1/2), diam 25, keyway 8mm

Comp. 387182

REF.188N



PINION 15 teeth, (3/8), Diam. 20, keyway 6 mm

Comp. 385074

REF.188P



PINION N 17 teeth, (3/4) diam 25 for G2, G3

Comp. 386300

REF.188Q



PINION 25 teeth, (1/2), diam 25, keyway 8mm

Comp. 387183

REF.188R



PINION 30 teeth, (3/8), diam 16mm, keyway 5mm

Comp. 385947

REF.188U



PINION 38 teeth, 19.05S(3/4), Diam 45, keyway 8mm

Comp. 385076

REF.188V



PINION 38 teeth, (1/2), Diam 25, keyway 8mm

Comp. 385242

REF.188W



PINION 17 teeth, (5/8) diam 25, keyway 8 mm

Comp. 386907

G 103, G 104, G 105, G 106, G 107, G 108, G 10X, G 114, G 115, G 117, G 120 50, G 120SW, G 121, G 122, G 125, G 130, G 132, G 133V, G 135 V, G 13X, G 140SW, G 152, G 167, G 170, G 175V, G 6.200, G 6.210, G 60, G 7.220, G 7.240, G 70, G 71, G 8.260, G 8.270, G 84, G 86, G 9.320, G 90



REF.189A\*



CONNECTING TIE-BAR n°17 380mm

Comp. 385261

G 60

REF.189B\*



CONNECTING TIE-BAR n°17 580mm

Comp. 386007

G 140

REF.190A



BUSCH

Comp. 385997

G 103, G 104, G 105, G 106, G 107, G 108, G 10X, G 114, G 115, G 117, G 120 SD, G 120SW, G 121, G 122, G 125, G 130, G 132, G 133V, G 135 V, G 13X, G 140SW, G 152, G 167, G 170, G 175V, G 6.200, G 6.210, G 60, G 7.220, G 7.240, G 70, G 71, G 8.260, G 8.270, G 84, G 86, G 9.320, G 90

REF.191A



REINFORCED SINGLE CHAIN 1/2" (12,70mm) BELT

Comp. 95070

REF.191B



CHAIN LINK 12.70 REINFORCED SINGLE

Comp. 95071

REF.191C



REINFORCED BENTED CHAIN LINK 12.70

Comp. 95072

REF.191D



REINFORCED SINGLE CHAIN 60H 3/4" (19,05mm) SHAKE

Comp. 95056

REF.191E



CHAIN LINK 19.05 REINFORCED SINGLE

Comp. 95057

REF.191F



REINFORCED BENTED CHAIN LINK 19.05

Comp. 95058

REF.193A\*



REAR LIGHT HOUSING

Comp. 165312

REF.193B



RIGHT / LEFT INTERMITTENT

Comp. 165213, 165214

REF.193D



COMPLETE HEADLIGHT

Comp. 165216

REF.193E\*



GALIBO LIGHT

Comp. 166565

G 86

REF.198D\*



REAR PULLEY GUIDE RIGHT

Comp. 355006

REF.198E\*



REAR PULLEY GUIDE LEFT

Comp. 355007

REF.199A



ROD HOLDER DRIVING LINK

Comp. 120676

G 60, G 152

REF.199B\*



ROD HOLDER DRIVING LINK L220MM

Comp. 120723

G 60

REF.199C\*



ROD HOLDER DRIVING LINK L140MM

Comp. 123939

G 132

REF.199D\*



ROD HOLDER DRIVING LINK L340MM

Comp. 124024

REF.400A\*



YELLOW PAINT (0,4L SPRAY)

Comp. 245242

REF.145C

REF.145D

REF.307B

REF.308B



BELT GUIDE INOX 250 3 mm diameter

BELT GUIDE INOX 310 3 mm diameter

SHAKING ROD STD

SHAKER ARM 80XX 09

Comp. -

Comp. -

Comp. 3938602

Comp. 3971722

3050,3100,3200,4240,4320,4340,4360,4380,4420,4460,4560,8290,8350,8270,8370,8390,8470,8490,8590

3050,3100,3200,4240,4320,4340,4360,4380,4420,4460,4560,8290,8350,8270,8370,8390,8470,8490,8590

3045, 3050,3052, 3100,3125, 3140, 3200, 4380, 4390, 4420, 4460, 8390 ...

8290,8350,8270,8370,8390,8470,8490,8590, 890, MAV 803, MAV 8050

REF.309B

REF.329B

REF.331A

REF.367A\*



SHAKING ARM GR / LM 05

SHAKING ROD OPTIMUM SELF-PRESSED

SHAKING ROD SUPERIOR GUIDE

SHAKING ROD STD ORIGINAL

Comp. 3938603

Comp. 8927800/5646845

Comp. 80847

Comp. 3972836

3300, 3400, 4050, 4056, 4560, 8590

8290,8350,8270,8370,8390,8470,8490,8590

3050,3100,3200,4240,4320,4340,4360,4380,4420,4460,4560,8290,8350,8270,8370,8390,8470,8490,8590, MAV 8030, MAV 8050, MAV 8090

3045, 3050,3052, 3100,3125, 3140, 3200, 4380, 4390, 4420, 4460, 8390 ...

REF.367C\*

REF.367D

REF.367E\*

REF.154G



SHAKING ROD OPTIMUM ORIGINAL

SHAKING ROD OPTIMUM BENT

SHAKING ROD GR ORIGINAL

BELT PER M2, 2 PLYES, SMOOTH/SMOOTH, THICKNESS 3.2 MM. (1m x width 450mm)

Comp. 125000

Comp. 125000

Comp. -

Comp. -

Optimum 530, Optimum 550, Optimum 570, Optimum 590, Optimum 750, Optimum 890

Optimum 530, Optimum 550, Optimum 570, Optimum 590, Optimum 750, Optimum 890

3300, 3400, 4050, 4056, 4560, 8590

3050,3100,3200,4240,4320,4340,4360,4380,4420,4460,4560,8290,8350,8270,8370,8390,8470,8490,8590, Optimum 530, Optimum 550, Optimum 570, Optimum 590, Optimum 750, , Optimum 890, MAV 8030, MAV 8050, MAV 8090

REF.154H

REF.154J

REF.310A

REF.311A



BELT PER M2, 3 PLYES, SMOOTH/SMOOTH, THICKNESS 4,3 MM. (1m x width 450mm)

ROLLO CANVAS 1m x 1m thickness 0,5mm per m2

SHAKING ROD COUPLING

STAINLESS STEEL SHAKING ROD COUPLING PLATE

Comp. -

Comp. -

Comp. 3937488

Comp. 3949603

3050,3100,3200,4240,4320,4340,4360,4380,4420,4460,4560,8290,8350,8270,8370,8390,8470,8490,8590, Optimum 530, Optimum 550, Optimum 570, Optimum 590, Optimum 750, , Optimum 890, MAV 8030, MAV 8050, MAV 8090

3050,3100,3200,4240,4320,4340,4360,4380,4420,4460,4560,8290,8350,8270,8370,8390,8470,8490,8590, Optimum 530, Optimum 550, Optimum 570, Optimum 590, Optimum 750, , Optimum 890, MAV 8030, MAV 8050, MAV 8090

3050,3100,3200,4240,4320,4340,4360,4380,4420,4460,4560,8290,8350,8270,8370,8390,8470,8490,8590, Optimum 530, Optimum 550, Optimum 570, Optimum 590, Optimum 750, Optimum 890, MAV 8030, MAV 8050, MAV 8090

3050,3100,3200,4240,4320,4340,4360,4380,4420,4460,4560,8290,8350,8270,8370,8390,8470,8490,8590, Optimum 530, Optimum 550, Optimum 570, Optimum 590, Optimum 750, Optimum 890, MAV 8030, MAV 8050, MAV 8090

REF.312A

REF.313A

REF.314A

REF.334A



COMPLETE KIT FOR SHAKING ROD (14X30X42)

KIT FOR SHAKING ROD COMPLET

KIT 2 SCREWS 8.8 M8X40 + 2 NUTS

RUBBER JOINT FOR SHAKING ROD (14X30X42)

Comp. 3967007

Comp. 3938604

Comp. -

Comp. 3904779

3050,3100,3200,4240,4320,4340,4360,4380,4420,4460,4560,8290,8350,8270,8370,8390,8470,8490,8590, Optimum 530, Optimum 550, Optimum 570, Optimum 590, Optimum 750, Optimum 890, MAV 8030, MAV 8050, MAV 8090

3050,3100,3200,4240,4320,4340,4360,4380,4420,4460,4560,8290,8350,8270,8370,8390,8470,8490,8590, Optimum 530, Optimum 550, Optimum 570, Optimum 590, Optimum 750, Optimum 890, MAV 8030, MAV 8050, MAV 8090

3050,3100,3200,4240,4320,4340,4360,4380,4420,4460,4560,8290,8350,8270,8370,8390,8470,8490,8590, Optimum 530, Optimum 550, Optimum 570, Optimum 590, Optimum 750, Optimum 890, MAV 8030, MAV 8050, MAV 8090

3050,3100,3200,4240,4320,4340,4360,4380,4420,4460,4560,8290,8350,8270,8370,8390,8470,8490,8590, Optimum 530, Optimum 550, Optimum 570, Optimum 590, Optimum 750, Optimum 890, MAV 8030, MAV 8050, MAV 8090



REF.344A



NUT CLOSED M8 (shaking rod coupling)

Comp. -

3050,3100,3200,4240,4320,4340,4360,4380,4420,4460,4560,8290,8350,8270,8370,8390,8470,8490,8590, Optimum 530, Optimum 550, Optimum 570, Optimum 590, Optimum 750, Optimum 890, MAV 8030, MAV 8050, MAV 8090

REF.344B



NUT CLOSED M12 (Silentblock)

Comp. 393488

3050,3100,3200,4240,4320,4340,4360,4380,4420,4460,4560,8290,8350,8270,8370,8390,8470,8490,8590, Optimum 530, Optimum 550, Optimum 570, Optimum 590, Optimum 750, Optimum 890, MAV 8030, MAV 8050, MAV 8090

REF.378A\*



FRONT SHAKING ROD SUPPORT

Comp. 3916063

3300, 3400, 4050, 4056, 4560, 8590, 3045, 3050,3052, 3100,3125, 3140, 3200, 4380, 4390, 4420, 4460, 8390 ...

REF.378B\*



READ SHAKING ROD SUPPORT 2000

Comp. 3916064

3300, 3400, 4050, 4056, 4560, 8590, 3045, 3050,3052, 3100,3125, 3140, 3200, 4380, 4390, 4420, 4460, 8390 ...

REF.378C\*



FASTENING FLANGE SHAKING ROD SUPPORT

Comp. 3916065

3300, 3400, 4050, 4056, 4560, 8590, 3045, 3050,3052, 3100,3125, 3140, 3200, 4380, 4390, 4420, 4460, 8390 ...

REF.378E



FLANGE-SUPPORT SCREW M12 CL10

Comp. -

3300, 3400, 4050, 4056, 4560, 8590, 3045, 3050,3052, 3100,3125, 3140, 3200, 4380, 4390, 4420, 4460, 8390 ...

REF.301D



RIGHTCATCHER TRAY, PRE-2006 MODEL

Comp. 3918313

3045, 3050,3052, 3100,3125, 3140, 3200, 4380, 4390, 4420, 4460, 8390 ...

REF.302D



LEFT CATCHER TRAY, PRE-2006 MODEL

Comp. 3918311

3045, 3050,3052, 3100,3125, 3140, 3200, 4380, 4390, 4420, 4460, 8390 ...

REF.303D



RIGHTCATCHER TRAY POST-206

Comp. 3964866

3050,3100,3200,4240,4320,4340,4360,4380,4420,4460,4560,8290,8350,8270,8370,8390,8470,8490,8590

REF.304D



LEFT CATCHER TRAY POST-206

Comp. 3964868

3050,3100,3200,4240,4320,4340,4360,4380,4420,4460,4560,8290,8350,8270,8370,8390,8470,8490,8590

REF.305D



LEFT ELBOW

Comp. 3964865

3050,3100,3200,4240,4320,4340,4360,4380,4420,4460,4560,8290,8350,8270,8370,8390,8470,8490,8590

REF.306D



RIGHT ELBOW

Comp. 3964864

3050,3100,3200,4240,4320,4340,4360,4380,4420,4460,4560,8290,8350,8270,8370,8390,8470,8490,8590

REF.315D



LEFT ELBOW OPTIMUM

Comp. 3911850

Optimum 530, Optimum 550, Optimum 570, Optimum 590, Optimum 750, Optimum 890, MAV 8030, MAV 8050, MAV 8090

REF.316D



RIGHT ELBOW OPTIMUM

Comp. 3911851

Optimum 530, Optimum 550, Optimum 570, Optimum 590, Optimum 750, Optimum 890, MAV 8030, MAV 8050, MAV 8090

REF.317D



LEFT CATCHER TRAY

Comp. 39125435

Optimum 530, Optimum 550, Optimum 570, Optimum 590, Optimum 750, Optimum 890

REF.318D



RIGHT CATCHER TRAY

Comp. 39125437

Optimum 530, Optimum 550, Optimum 570, Optimum 590, Optimum 750, Optimum 890

REF.332A



DISTANCING PLATE ESCAMA OPTIMUM

Comp. 120856

Optimum 530, Optimum 550, Optimum 570, Optimum 590, Optimum 750, Optimum 890, MAV 8030, MAV 8050, MAV 8090

REF.333A



SCREWS - INSERT - WASHER ESCAMA OPTIMUM

Comp. 133642,,02913,,133636

Optimum 530, Optimum 550, Optimum 570, Optimum 590, Optimum 750, Optimum 890, MAV 8030, MAV 8050, MAV 8090

REF.345A\*



SCREW FHC M8-40 INOX PRE-INDUCTION

Comp. 133636

Optimum 530, Optimum 550, Optimum 570, Optimum 590, Optimum 750, Optimum 890, MAV 8030, MAV 8050, MAV 8090

REF.346A\*



SUPPORT FOR CATCHER TRAY, PRE-2006 MODEL

Comp. 3932517

3045, 3050,3052, 3100,3125, 3140, 3200, 4380, 4390, 4420, 4460, 8390 ...

**REF.351A**



**RIGHT SHEET UNION ELBOW OPTIMUM TO CHASSIS**

**Comp. 111865**

Optimum 530, Optimum 550, Optimum 570, Optimum 590, Optimum 750, Optimum 890, MAV 8030, MAV 8050, MAV 8090

**REF.351B**



**LEFT BUTTON UNION ELBOW OPTIMUM TO CHASSIS**

**Comp. 111866**

Optimum 530, Optimum 550, Optimum 570, Optimum 590, Optimum 750, Optimum 890, MAV 8030, MAV 8050, MAV 8090

**REF.378D**



**INJECTED CATCHER TRAY, LEFT OPTIMUM**

**Comp. 131765**

Optimum 530, Optimum 550, Optimum 570, Optimum 590, Optimum 750, Optimum 890, MAV 8030, MAV 8050, MAV 8090

**REF.379B**



**INJECTED CATCHER TRAY, RIGHT OPTIMUM**

**Comp. 131766**

Optimum 530, Optimum 550, Optimum 570, Optimum 590, Optimum 750, Optimum 890, MAV 8030, MAV 8050, MAV 8090

**REF.379C**



**PLUMBING BLANCHE ESCAPE**

**Comp. 39137242**

Optimum 530, Optimum 550, Optimum 570, Optimum 590, Optimum 750, Optimum 890, MAV 8030, MAV 8050, MAV 8090

**REF.379D\***



**DOUBLE THREADED INSERT FOR INJECTED FLAKES**

**Comp. 39134795**

Optimum 530, Optimum 550, Optimum 570, Optimum 590, Optimum 750, Optimum 890, MAV 8030, MAV 8050, MAV 8090

**REF.379E**



**SCREW TH WITHOUT RIB M8-30 CL8,8 GEOME**

**Comp. 139094**

Optimum 530, Optimum 550, Optimum 570, Optimum 590, Optimum 750, Optimum 890, MAV 8030, MAV 8050, MAV 8090

**REF.379F**



**ELBOW FLAKE INJECTED WHITE**

**Comp. -**

Optimum 530, Optimum 550, Optimum 570, Optimum 590, Optimum 750, Optimum 890, MAV 8030, MAV 8050, MAV 8090

**REF.319A**



**LOWER ROLLER SMOOTH 250mm**

**Comp. 3949620**

3045, 3050, 3052, 3100, 3125, 3140, 3200, 4380, 4390, 4420, 4460, 8390 ...

**REF.320A**



**ABOMBED MOTOR ROLLER 250mm**

**Comp. 3984573**

3045, 3050, 3052, 3100, 3125, 3140, 3200, 4380, 4390, 4420, 4460, 8390 ...

**REF.321A**



**LOWER ROLLER SMOOTH 310mm**

**Comp. 3949616**

3300, 3400, 4050, 4056, 4560, 8590

**REF.322A**



**ABOMBED MOTOR ROLLER. 310mm**

**Comp. 3984572**

3300, 3400, 4050, 4056, 4560, 8590

**REF.330A**



**FRONT FLAP FOR STD HARVESTING HEAD**

**Comp. 3931961**

3050, 3100, 3200, 4240, 4320, 4340, 4360, 4380, 4420, 4460, 4560, 8290, 8350, 8270, 8370, 8390, 8470, 8490, 8590

**REF.330B**



**PREVIOUS MUD OPTIMUM**

**Comp. -**

Optimum 530, Optimum 550, Optimum 570, Optimum 590, Optimum 750, Optimum 890, MAV 8030, MAV 8050, MAV 8090

**REF.335A**



**PLASTIC CONVEYOR ROLLER, COMPLETE 78MM**

**Comp. 3946291**

3045, 3050, 3052, 3100, 3125, 3140, 3200, 4380, 4390, 4420, 4460, 8390 ...

**REF.335B**



**PLASTIC CONVEYOR ROLLER, COMPLETE DIAM 88mm**

**Comp. 39464816**

3300, 3400, 4050, 4056, 4560, 8590

**REF.335C**



**GUIDED ROLLER BELT WITHOUT BEARINGS AND WITHOUT SHAFT 76**

**Comp. 3946290**

3045, 3050, 3052, 3100, 3125, 3140, 3200, 4380, 4390, 4420, 4460, 8390 ...

**REF.335D**



**CONVEYOR ROLLER 69 / 88**

**Comp. 3962838**

3300, 3400, 4050, 4056, 4560, 8590

**REF.336A**



**PLATE JOINT FIXING 3mm**

**Comp. 125455**

3050, 3100, 3200, 4240, 4320, 4340, 4360, 4380, 4420, 4460, 4560, 8290, 8350, 8270, 8370, 8390, 8470, 8490, 8590

**REF.339C**



**STAPLING MACHINE STAPLES MR-FIX 100**

**Comp. -**

PMME, PMA, GMM, G 50, G 50 A, G 50 E, G 55 M, G 55 P, G 55 V, G 55 W, G 55 X, G 55 Y, G 55 Z, G 55 AA, G 55 AB, G 55 AC, G 55 AD, G 55 AE, G 55 AF, G 55 AG, G 55 AH, G 55 AI, G 55 AJ, G 55 AK, G 55 AL, G 55 AM, G 55 AN, G 55 AO, G 55 AP, G 55 AQ, G 55 AR, G 55 AS, G 55 AT, G 55 AU, G 55 AV, G 55 AW, G 55 AX, G 55 AY, G 55 AZ, G 55 BA, G 55 BB, G 55 BC, G 55 BD, G 55 BE, G 55 BF, G 55 BG, G 55 BH, G 55 BI, G 55 BJ, G 55 BK, G 55 BL, G 55 BM, G 55 BN, G 55 BO, G 55 BP, G 55 BQ, G 55 BR, G 55 BS, G 55 BT, G 55 BU, G 55 BV, G 55 BW, G 55 BX, G 55 BY, G 55 BZ, G 55 CA, G 55 CB, G 55 CC, G 55 CD, G 55 CE, G 55 CF, G 55 CG, G 55 CH, G 55 CI, G 55 CJ, G 55 CK, G 55 CL, G 55 CM, G 55 CN, G 55 CO, G 55 CP, G 55 CQ, G 55 CR, G 55 CS, G 55 CT, G 55 CU, G 55 CV, G 55 CW, G 55 CX, G 55 CY, G 55 CZ, G 55 DA, G 55 DB, G 55 DC, G 55 DD, G 55 DE, G 55 DF, G 55 DG, G 55 DH, G 55 DI, G 55 DJ, G 55 DK, G 55 DL, G 55 DM, G 55 DN, G 55 DO, G 55 DP, G 55 DQ, G 55 DR, G 55 DS, G 55 DT, G 55 DU, G 55 DV, G 55 DW, G 55 DX, G 55 DY, G 55 DZ, G 55 EA, G 55 EB, G 55 EC, G 55 ED, G 55 EE, G 55 EF, G 55 EG, G 55 EH, G 55 EI, G 55 EJ, G 55 EK, G 55 EL, G 55 EM, G 55 EN, G 55 EO, G 55 EP, G 55 EQ, G 55 ER, G 55 ES, G 55 ET, G 55 EU, G 55 EV, G 55 EW, G 55 EX, G 55 EY, G 55 EZ, G 55 FA, G 55 FB, G 55 FC, G 55 FD, G 55 FE, G 55 FF, G 55 FG, G 55 FH, G 55 FI, G 55 FJ, G 55 FK, G 55 FL, G 55 FM, G 55 FN, G 55 FO, G 55 FP, G 55 FQ, G 55 FR, G 55 FS, G 55 FT, G 55 FU, G 55 FV, G 55 FW, G 55 FX, G 55 FY, G 55 FZ, G 55 GA, G 55 GB, G 55 GC, G 55 GD, G 55 GE, G 55 GF, G 55 GG, G 55 GH, G 55 GI, G 55 GJ, G 55 GK, G 55 GL, G 55 GM, G 55 GN, G 55 GO, G 55 GP, G 55 GQ, G 55 GR, G 55 GS, G 55 GT, G 55 GU, G 55 GV, G 55 GW, G 55 GX, G 55 GY, G 55 GZ, G 55 HA, G 55 HB, G 55 HC, G 55 HD, G 55 HE, G 55 HF, G 55 HG, G 55 HH, G 55 HI, G 55 HJ, G 55 HK, G 55 HL, G 55 HM, G 55 HN, G 55 HO, G 55 HP, G 55 HQ, G 55 HR, G 55 HS, G 55 HT, G 55 HU, G 55 HV, G 55 HW, G 55 HX, G 55 HY, G 55 HZ, G 55 IA, G 55 IB, G 55 IC, G 55 ID, G 55 IE, G 55 IF, G 55 IG, G 55 IH, G 55 II, G 55 IJ, G 55 IK, G 55 IL, G 55 IM, G 55 IN, G 55 IO, G 55 IP, G 55 IQ, G 55 IR, G 55 IS, G 55 IT, G 55 IU, G 55 IV, G 55 IW, G 55 IX, G 55 IY, G 55 IZ, G 55 JA, G 55 JB, G 55 JC, G 55 JD, G 55 JE, G 55 JF, G 55 JG, G 55 JH, G 55 JI, G 55 JJ, G 55 JK, G 55 JL, G 55 JM, G 55 JN, G 55 JO, G 55 JP, G 55 JQ, G 55 JR, G 55 JS, G 55 JT, G 55 JU, G 55 JV, G 55 JW, G 55 JX, G 55 JY, G 55 JZ, G 55 KA, G 55 KB, G 55 KC, G 55 KD, G 55 KE, G 55 KF, G 55 KG, G 55 KH, G 55 KI, G 55 KJ, G 55 KK, G 55 KL, G 55 KM, G 55 KN, G 55 KO, G 55 KP, G 55 KQ, G 55 KR, G 55 KS, G 55 KT, G 55 KU, G 55 KV, G 55 KW, G 55 KX, G 55 KY, G 55 KZ, G 55 LA, G 55 LB, G 55 LC, G 55 LD, G 55 LE, G 55 LF, G 55 LG, G 55 LH, G 55 LI, G 55 LJ, G 55 LK, G 55 LL, G 55 LM, G 55 LN, G 55 LO, G 55 LP, G 55 LQ, G 55 LR, G 55 LS, G 55 LT, G 55 LU, G 55 LV, G 55 LW, G 55 LX, G 55 LY, G 55 LZ, G 55 MA, G 55 MB, G 55 MC, G 55 MD, G 55 ME, G 55 MF, G 55 MG, G 55 MH, G 55 MI, G 55 MJ, G 55 MK, G 55 ML, G 55 MM, G 55 MN, G 55 MO, G 55 MP, G 55 MQ, G 55 MR, G 55 MS, G 55 MT, G 55 MU, G 55 MV, G 55 MW, G 55 MX, G 55 MY, G 55 MZ, G 55 NA, G 55 NB, G 55 NC, G 55 ND, G 55 NE, G 55 NF, G 55 NG, G 55 NH, G 55 NI, G 55 NJ, G 55 NK, G 55 NL, G 55 NM, G 55 NN, G 55 NO, G 55 NP, G 55 NQ, G 55 NR, G 55 NS, G 55 NT, G 55 NU, G 55 NV, G 55 NW, G 55 NX, G 55 NY, G 55 NZ, G 55 OA, G 55 OB, G 55 OC, G 55 OD, G 55 OE, G 55 OF, G 55 OG, G 55 OH, G 55 OI, G 55 OJ, G 55 OK, G 55 OL, G 55 OM, G 55 ON, G 55 OO, G 55 OP, G 55 OQ, G 55 OR, G 55 OS, G 55 OT, G 55 OU, G 55 OV, G 55 OW, G 55 OX, G 55 OY, G 55 OZ, G 55 PA, G 55 PB, G 55 PC, G 55 PD, G 55 PE, G 55 PF, G 55 PG, G 55 PH, G 55 PI, G 55 PJ, G 55 PK, G 55 PL, G 55 PM, G 55 PN, G 55 PO, G 55 PP, G 55 PQ, G 55 PR, G 55 PS, G 55 PT, G 55 PU, G 55 PV, G 55 PW, G 55 PX, G 55 PY, G 55 PZ, G 55 QA, G 55 QB, G 55 QC, G 55 QD, G 55 QE, G 55 QF, G 55 QG, G 55 QH, G 55 QI, G 55 QJ, G 55 QK, G 55 QL, G 55 QM, G 55 QN, G 55 QO, G 55 QP, G 55 QQ, G 55 QR, G 55 QS, G 55 QT, G 55 QU, G 55 QV, G 55 QW, G 55 QX, G 55 QY, G 55 QZ, G 55 RA, G 55 RB, G 55 RC, G 55 RD, G 55 RE, G 55 RF, G 55 RG, G 55 RH, G 55 RI, G 55 RJ, G 55 RK, G 55 RL, G 55 RM, G 55 RN, G 55 RO, G 55 RP, G 55 RQ, G 55 RR, G 55 RS, G 55 RT, G 55 RU, G 55 RV, G 55 RW, G 55 RX, G 55 RY, G 55 RZ, G 55 SA, G 55 SB, G 55 SC, G 55 SD, G 55 SE, G 55 SF, G 55 SG, G 55 SH, G 55 SI, G 55 SJ, G 55 SK, G 55 SL, G 55 SM, G 55 SN, G 55 SO, G 55 SP, G 55 SQ, G 55 SR, G 55 SS, G 55 ST, G 55 SU, G 55 SV, G 55 SW, G 55 SX, G 55 SY, G 55 SZ, G 55 TA, G 55 TB, G 55 TC, G 55 TD, G 55 TE, G 55 TF, G 55 TG, G 55 TH, G 55 TI, G 55 TJ, G 55 TK, G 55 TL, G 55 TM, G 55 TN, G 55 TO, G 55 TP, G 55 TQ, G 55 TR, G 55 TS, G 55 TT, G 55 TU, G 55 TV, G 55 TW, G 55 TX, G 55 TY, G 55 TZ, G 55 UA, G 55 UB, G 55 UC, G 55 UD, G 55 UE, G 55 UF, G 55 UG, G 55 UH, G 55 UI, G 55 UJ, G 55 UK, G 55 UL, G 55 UM, G 55 UN, G 55 UO, G 55 UP, G 55 UQ, G 55 UR, G 55 US, G 55 UT, G 55 UY, G 55 UZ, G 55 VA, G 55 VB, G 55 VC, G 55 VD, G 55 VE, G 55 VF, G 55 VG, G 55 VH, G 55 VI, G 55 VJ, G 55 VK, G 55 VL, G 55 VM, G 55 VN, G 55 VO, G 55 VP, G 55 VQ, G 55 VR, G 55 VS, G 55 VT, G 55 VU, G 55 VV, G 55 VW, G 55 VX, G 55 VY, G 55 VZ, G 55 WA, G 55 WB, G 55 WC, G 55 WD, G 55 WE, G 55 WF, G 55 WG, G 55 WH, G 55 WI, G 55 WJ, G 55 WK, G 55 WL, G 55 WM, G 55 WN, G 55 WO, G 55 WP, G 55 WQ, G 55 WR, G 55 WS, G 55 WT, G 55 WU, G 55 WV, G 55 WW, G 55 WX, G 55 WY, G 55 WZ, G 55 XA, G 55 XB, G 55 XC, G 55 XD, G 55 XE, G 55 XF, G 55 XG, G 55 XH, G 55 XI, G 55 XJ, G 55 XK, G 55 XL, G 55 XM, G 55 XN, G 55 XO, G 55 XP, G 55 XQ, G 55 XR, G 55 XS, G 55 XT, G 55 XU, G 55 XV, G 55 XW, G 55 XX, G 55 XY, G 55 XZ, G 55 YA, G 55 YB, G 55 YC, G 55 YD, G 55 YE, G 55 YF, G 55 YG, G 55 YH, G 55 YI, G 55 YJ, G 55 YK, G 55 YL, G 55 YM, G 55 YN, G 55 YO, G 55 YP, G 55 YQ, G 55 YR, G 55 YS, G 55 YT, G 55 YU, G 55 YV, G 55 YW, G 55 YX, G 55 YY, G 55 YZ, G 55 ZA, G 55 ZB, G 55 ZC, G 55 ZD, G 55 ZE, G 55 ZF, G 55 ZG, G 55 ZH, G 55 ZI, G 55 ZJ, G 55 ZK, G 55 ZL, G 55 ZM, G 55 ZN, G 55 ZO, G 55 ZP, G 55 ZQ, G 55 ZR, G 55 ZS, G 55 ZT, G 55 ZU, G 55 ZV, G 55 ZW, G 55 ZX, G 55 ZY, G 55 ZZ



**REF.339E**

**REF.339G**

**REF.339H**

**REF.339I**



**STAPLE RS125 galvanized steel (1,2m)**

**STAPLE galvanized steel with copper screws (1m)**

**STAPLE RS125 galvanized steel (250mm)**

**STAPLE RS125 galvanized steel (320mm)**

**Comp. -**

**Comp. -**

**Comp. -**

**Comp. -**

3050, 3100, 3200, 4240, 4320, 4340, 4360, 4380, 4420, 4460, 4560, 8290, 8350, 8270, 8370, 8390, 8470, 8490, 8590

3050, 3100, 3200, 4240, 4320, 4340, 4360, 4380, 4420, 4460, 4560, 8290, 8350, 8270, 8370, 8390, 8470, 8490, 8590

3050, 3100, 3200, 4240, 4320, 4340, 4360, 4380, 4420, 4460, 4560, 8290, 8350, 8270, 8370, 8390, 8470, 8490, 8590

3050, 3100, 3200, 4240, 4320, 4340, 4360, 4380, 4420, 4460, 4560, 8290, 8350, 8270, 8370, 8390, 8470, 8490, 8590

**REF.339J**

**REF.339K**

**REF.340F**

**REF.340G**



**STAPLE galvanized steel with copper screws (250mm)**

**STAPLE galvanized steel with copper screws (320mm)**

**STAPLE stainless steel for 250mm**

**STAPLE stainless steel for 310mm**

**Comp. -**

**Comp. -**

**Comp. -**

**Comp. -**

3050, 3100, 3200, 4240, 4320, 4340, 4360, 4380, 4420, 4460, 4560, 8290, 8350, 8270, 8370, 8390, 8470, 8490, 8590

3050, 3100, 3200, 4240, 4320, 4340, 4360, 4380, 4420, 4460, 4560, 8290, 8350, 8270, 8370, 8390, 8470, 8490, 8590

3050, 3100, 3200, 4240, 4320, 4340, 4360, 4380, 4420, 4460, 4560, 8290, 8350, 8270, 8370, 8390, 8470, 8490, 8590

3050, 3100, 3200, 4240, 4320, 4340, 4360, 4380, 4420, 4460, 4560, 8290, 8350, 8270, 8370, 8390, 8470, 8490, 8590

**REF.341A**

**REF.341B**

**REF.342A**

**REF.342F**



**STAINLESS STEEL BUCKET FOR 250 MM PELLENC BELT**

**STAINLESS STEEL BUCKET FOR 310 MM PELLENC BELT**

**BELT 250 X10.420 mm (without staple)**

**BELT 250x10.950 mm(without staple)**

**Comp. -**

**Comp. -**

**WITHOUT SHIPMENT**

**Comp. -**

3050, 3100, 3200, 4240, 4320, 4340, 4360, 4380, 4420, 4460, 4560, 8290, 8350, 8270, 8370, 8390, 8470, 8490, 8590

3050, 3100, 3200, 4240, 4320, 4340, 4360, 4380, 4420, 4460, 4560, 8290, 8350, 8270, 8370, 8390, 8470, 8490, 8590

3050, 3100, 3200, 4240, 4320, 4340, 4360, 4380, 4420, 4460, 4560, 8290, 8350, 8270, 8370, 8390, 8470, 8490, 8590

3050, 3100, 3200, 4240, 4320, 4340, 4360, 4380, 4420, 4460, 4560, 8290, 8350, 8270, 8370, 8390, 8470, 8490, 8590

**REF.342B**

**REF.342C**

**REF.342D**

**REF.342E**

**REF.342G**



**BELT 310x10.760 mm(without staple)**

**TAPE 250 (STAPLELESS)**

**TAPE 310 (STAPLELESS)**

**TAPE 310X11.855mm (STAPLELESS)**

**BELT 310x12,355 mm(without staple)**

**WITHOUT SHIPMENT**

3050, 3100, 3200, 4240, 4320, 4340, 4360, 4380, 4420, 4460, 4560, 8290, 8350, 8270, 8370, 8390, 8470, 8490, 8590

**REF.343A**

**REF.349A**

**REF.350A**

**REF.351C**



**PULLEY SCRAPER**

**RIGHT DOWNSTREAM SKATE TDR2-4-5**

**UPWARD TURN SKATE TDR2-4-5**

**COPPER SCREWS WITH TIP ( 2,1x17 mm)**

**Comp. 3911290**

**Comp. 39107147**

**Comp. 39107148**

**Comp. -**

3050, 3100, 3200, 4240, 4320, 4340, 4360, 4380, 4420, 4460, 4560, 8290, 8350, 8270, 8370, 8390, 8470, 8490, 8590

8290,8350,8270,8370,8390,8470,8490,8590, MAV 8030, MAV 8050, MAV 8090

8290,8350,8270,8370,8390,8470,8490,8590, MAV 8030, MAV 8050, MAV 8090

3050, 3100, 3200, 4240, 4320, 4340, 4360, 4380, 4420, 4460, 4560, 8290, 8350, 8270, 8370, 8390, 8470, 8490, 8590

REF.353A



NYLON BEARING Ø30

Comp. 3937603

3050, 3100, 3200, 4240, 4320, 4340, 4360, 4380, 4420, 4460, 4560, 8290, 8350, 8270, 8370, 8390, 8470, 8490, 8590

REF.353B



HDPE LADDER TUBE STD / GR Ø31,5

Comp. 3966137

3050, 3100, 3200, 4240, 4320, 4340, 4360, 4380, 4420, 4460, 4560, 8290, 8350, 8270, 8370, 8390, 8470, 8490, 8590

REF.354A



LEFT DEFLECTOR. TAPE GUIDED ROLLER

Comp. 3911237

3050,3100,3200,4240,4320,4340,4360,4380,4420,4460,4560,8290,8350,8270,8370,8390,8470,8490,8590, Optimum 530, Optimum 550, Optimum 570, Optimum 590, Optimum 750, Optimum 890, MAV 8030, MAV 8050, MAV 8090

REF.354B



RIGHT DEFLECTOR TAPE GUIDED ROLLER

Comp. 3911236

3050,3100,3200,4240,4320,4340,4360,4380,4420,4460,4560,8290,8350,8270,8370,8390,8470,8490,8590, Optimum 530, Optimum 550, Optimum 570, Optimum 590, Optimum 750, Optimum 890, MAV 8030, MAV 8050, MAV 8090

REF.355A



TAPE GUIDED ROLLER SHAFT

Comp. 3942005

3050,3100,3200,4240,4320,4340,4360,4380,4420,4460,4560,8290,8350,8270,8370,8390,8470,8490,8590, Optimum 530, Optimum 550, Optimum 570, Optimum 590, Optimum 750, Optimum 890, MAV 8030, MAV 8050, MAV 8090

REF.358A\*



CUP 130/30 \* 2 SMOOTH ROLLER

Comp. 3911208

3050,3100,3200,4240,4320,4340,4360,4380,4420,4460,4560,8290,8350,8270,8370,8390,8470,8490,8590, Optimum 530, Optimum 550, Optimum 570, Optimum 590, Optimum 750, Optimum 890, MAV 8030, MAV 8050, MAV 8090

REF.359A\*



MAIN BELT PULLEY 2005

Comp. 3949615, 3945813

3050,3100,3200,4240,4320,4340,4360,4380,4420,4460,4560,8290,8350,8270,8370,8390,8470,8490,8590, Optimum 530, Optimum 550, Optimum 570, Optimum 590, Optimum 750, Optimum 890, MAV 8030, MAV 8050, MAV 8090

REF.361A\*



BLADE SEPARATOR PADDLE STD

Comp. 3920684

3045, 3050,3052, 3100,3125, 3140, 3200, 4380, 4390, 4420, 4460, 8390 ...

REF.361B\*



BLADE SEPARATOR PALETTE GR

Comp. 3929339

3300, 3400, 4050, 4056, 4560, 8590

REF.364A\*



SUPPORT SUP. STD REAR AXLE AND GR UPPER

Comp. 3901106

3050,3100,3200,4240,4320,4340,4360,4380,4420,4460,4560,8290,8350,8270,8370,8390,8470,8490,8590, Optimum 530, Optimum 550, Optimum 570, Optimum 590, Optimum 750, Optimum 890, MAV 8030, MAV 8050, MAV 8090

REF.365A\*



SUPPORT INF. AND SUP. FRONT AXLE STD

Comp. 3901099

3050,3100,3200,4240,4320,4340,4360,4380,4420,4460,4560,8290,8350,8270,8370,8390,8470,8490,8590, Optimum 530, Optimum 550, Optimum 570, Optimum 590, Optimum 750, Optimum 890, MAV 8030, MAV 8050, MAV 8090,96,69

REF.365B\*



LOWER BEARING HOUSING REAR COLUMNS

Comp. 3912544

3050,3100,3200,4240,4320,4340,4360,4380,4420,4460,4560,8290,8350,8270,8370,8390,8470,8490,8590, Optimum 530, Optimum 550, Optimum 570, Optimum 590, Optimum 750, Optimum 890, MAV 8030, MAV 8050, MAV 8090

REF.371A\*



PALPADOR HAUTEUR GOMME STD

Comp. 3923825

3050, 3100, 3200, 4240, 4320, 4340, 4360, 4380, 4420, 4460, 4560, 8290, 8350, 8270, 8370, 8390, 8470, 8490, 8590

REF.374A\*



SILENTBLOCK D=100 H=30 60SH (EXCENTRIC MAV)

Comp. 3916015

3050, 3100, 3200, 4240, 4320, 4340, 4360, 4380, 4420, 4460, 4560, 8290, 8350, 8270, 8370, 8390, 8470, 8490, 8590

REF.374B\*



RUBBER JOINT 70SH

Comp. 3969847

3050, 3100, 3200, 4240, 4320, 4340, 4360, 4380, 4420, 4460, 4560, 8290, 8350, 8270, 8370, 8390, 8470, 8490, 8590

REF.374C\*



HEXAGONAL RUBBER JOINT H28 M8x20 35SHA

Comp. 3980486

3050, 3100, 3200, 4240, 4320, 4340, 4360, 4380, 4420, 4460, 4560, 8290, 8350, 8270, 8370, 8390, 8470, 8490, 8590

REF.377A\*



SHELLING FINGER KIT

Comp. 3975473

3050, 3100, 3200, 4240, 4320, 4340, 4360, 4380, 4420, 4460, 4560, 8290, 8350, 8270, 8370, 8390, 8470, 8490, 8590

REF.380A\*



ORANGE PAINTING (SPRAY 0,4L)

Comp. 1640055

3050,3100,3200,4240,4320,4340,4360,4380,4420,4460,4560,8290,8350,8270,8370,8390,8470,8490,8590, Optimum 530, Optimum 550, Optimum 570, Optimum 590, Optimum 750, Optimum 890, MAV 8030, MAV 8050, MAV 8090

REF.888A



CONVEYOR ROLLER BEARING (LONG GRR25)

Comp. 3937508

3050, 3100, 3200, 4240, 4320, 4340, 4360, 4380, 4420, 4460, 4560, 8290, 8350, 8270, 8370, 8390, 8470, 8490, 8590

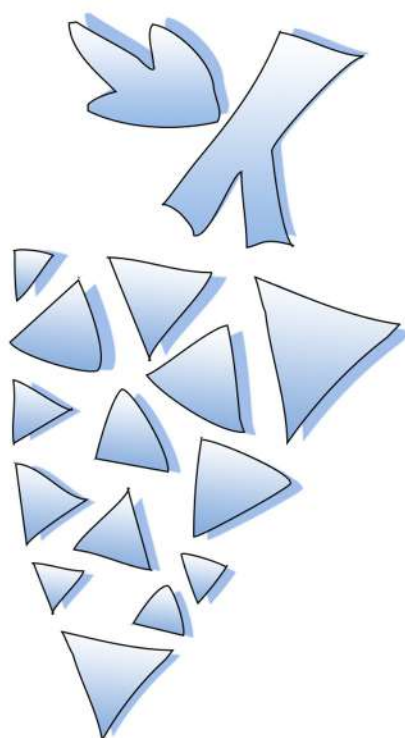
REF.888B



SUPPORT BEARING INF. AND SUP. FRONT AXLE STD

Comp. 3903489

3050, 3100, 3200, 4240, 4320, 4340, 4360, 4380, 4420, 4460, 4560, 8290, 8350, 8270, 8370, 8390, 8470, 8490, 8590



The total or partial reproduction of this catalog, including texts, drawings and photographs, as well as its conservation in any medium or its transmission in any form or by any digital, mechanical, photocopying, scanning or any other means without prior authorization is totally prohibited.

The images used are for illustrative purposes only and they could differ from the original models.

All product names, logos and brands are property of their respective owners. All company product and service names used on this website are used for identification purposes only. The use of these names, logos and brands does not imply endorsement of any kind.

The information of this catalog could be changed without prior notice.





## **HARVESTER SPARES**

**MOLDES Y RESINAS, S.L.**

Calle López Bravo 24-26, nave 26  
Polígono Villalonquéjar  
09001 Burgos, España

**Tel. +34 606 39 41 29**

**[info@harvesterspares.com](mailto:info@harvesterspares.com)**

**[www.harvesterspares.com](http://www.harvesterspares.com)**

